

OmniRoom | MUTE.

# Furniture catalogue



Intro	03
<hr/>	
Shelves and cabinets	06
<hr/>	
Tables and desks	13
<hr/>	
Accessories	17
<hr/>	

## Arrange ultimate work comfort

To efficiently use every inch of space, OmniRoom system includes a set of wall-mounted, tailor-made furniture. All elements are designed purposely to fit like a glove to OmniRoom modules size and design and ensure the best possible ergonomics.

The set includes dozens of elements like desks, tables, cabinets, shelves, and much more. All are created in the same style to give your OmniRoom a coherent, stylish look.



## Wall-mounted system

Hang every add-on on any height of any wall, inside or out, and rearrange freely – it's that simple! All thanks to the specially designed hook system.

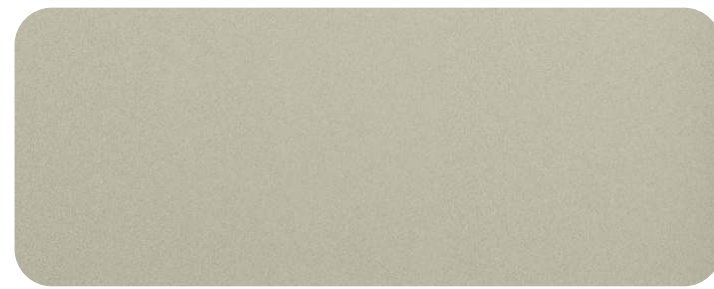


## Finishing options

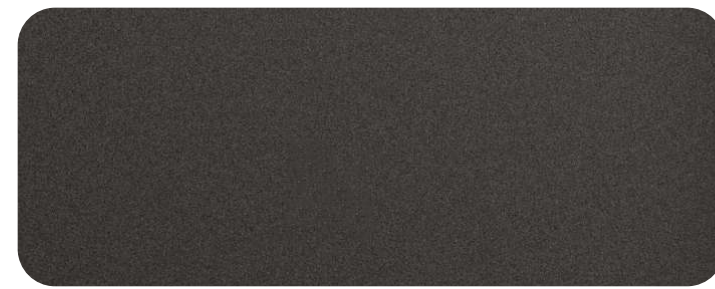
Furniture is available in wooden melamine oak finishing or one of the seven colors from the OmniRoom pallet.



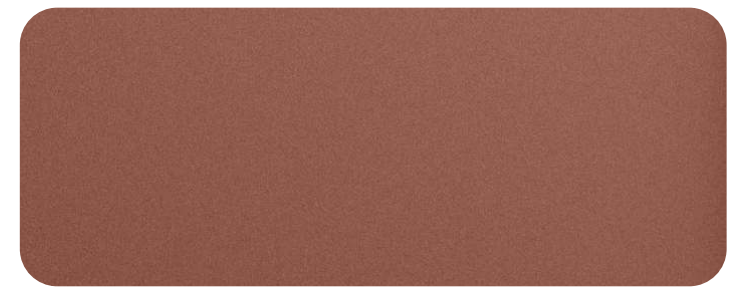
**Moon White**  
Pantone Grey 403051



**Ash Grey**  
NCS S2005-Y20R



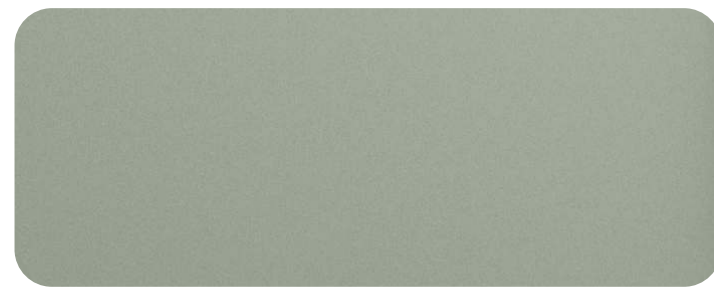
**Void Black**  
NCS S8500-N



**Clay Red**  
NCS S4030-Y70R



**Sand Beige**  
NCS S3010-Y30R



**Sage Green**  
NCS S3010-G20Y

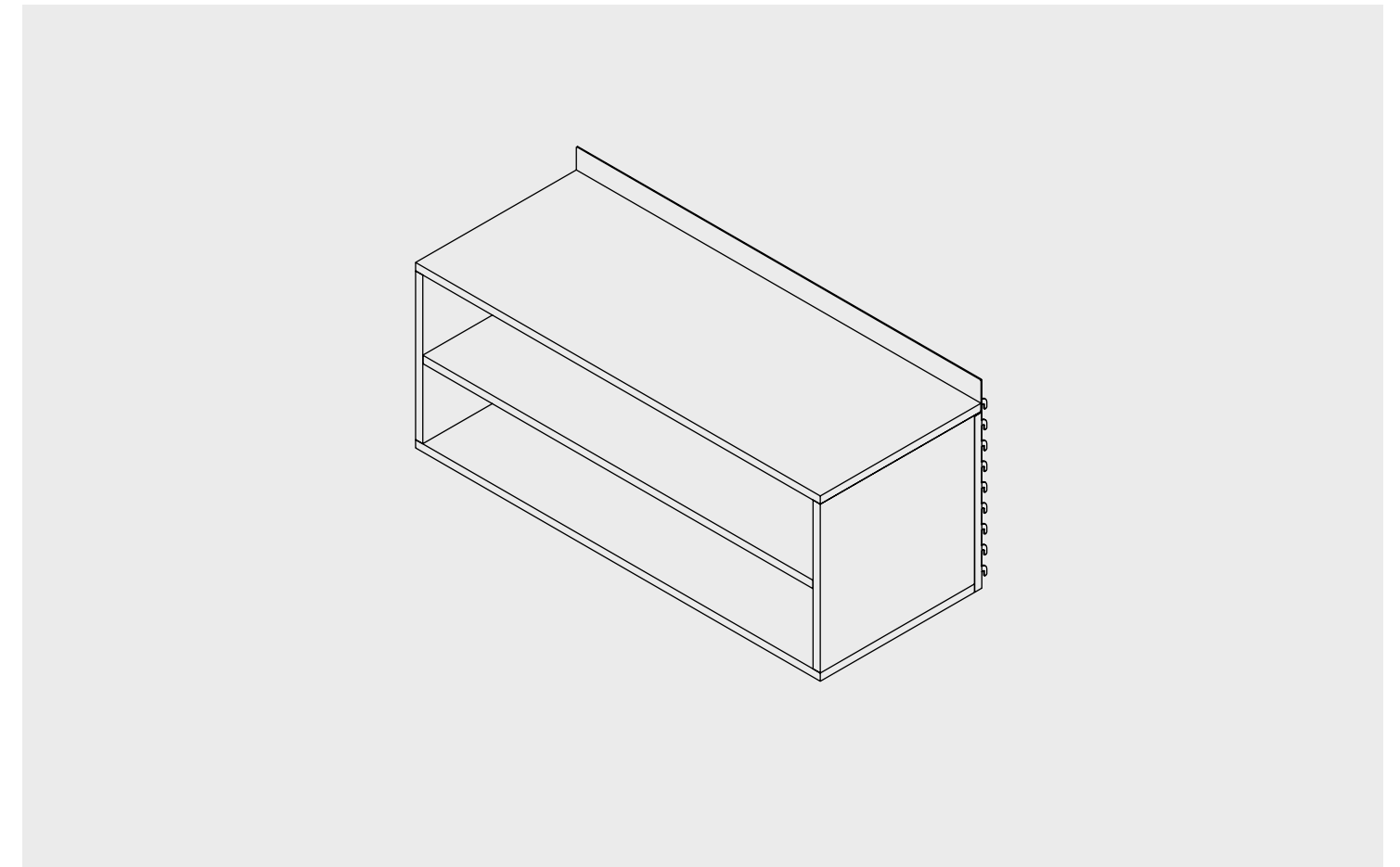


**Ink Blue**  
NCS S7020-R90B



**Egger Oak Vicenza melamine**  
H3157 ST12

# Shelves and cabinets

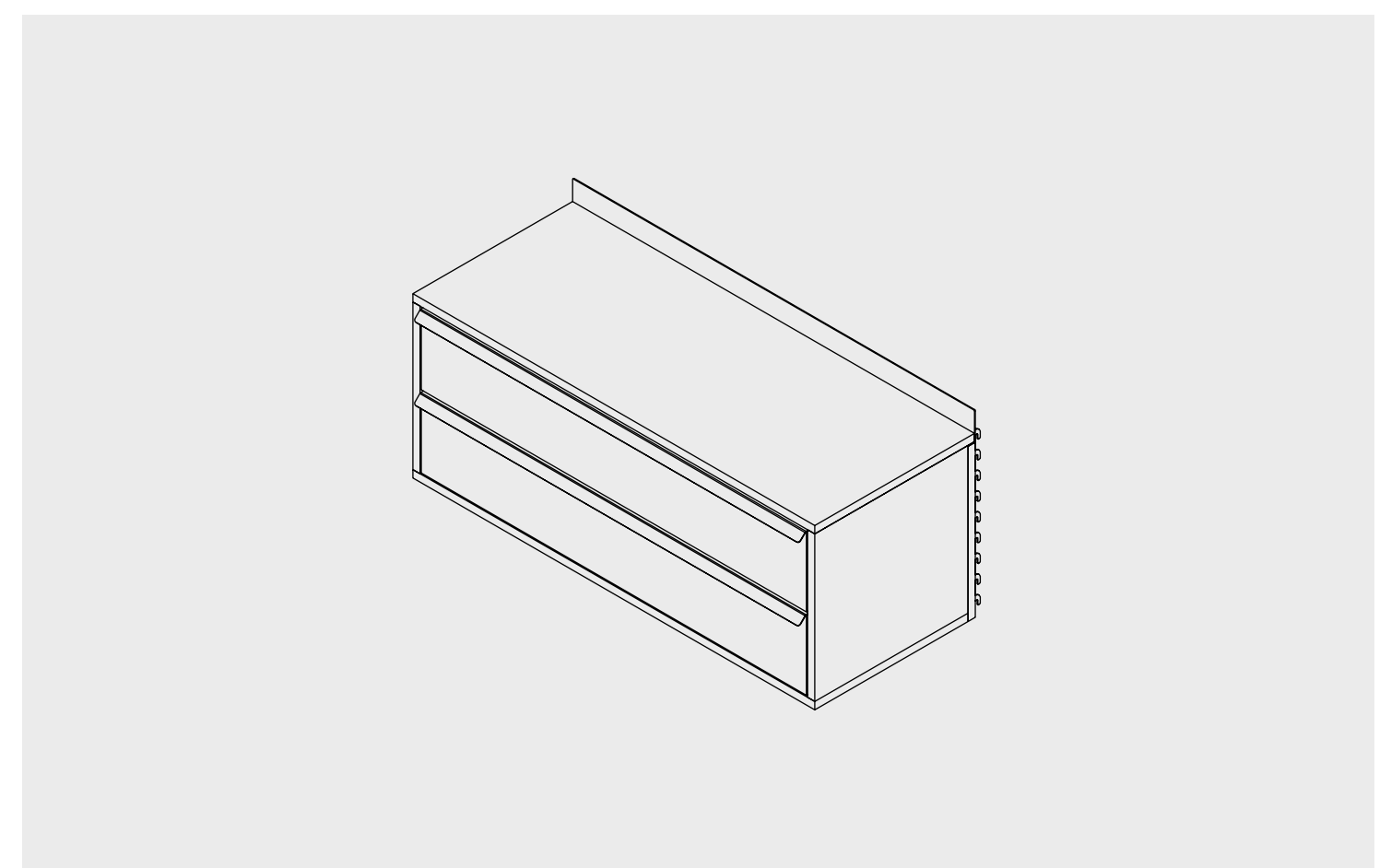


**Open shelf cabinet**

Available colors



Dimensions	[mm]	[inch]
Width	1007	39.65
Depth	402	15.83
Height	450	17.72
Weight	[kg]	[lbs]
Weight	23.5	51.79
Max. load	20	44.08

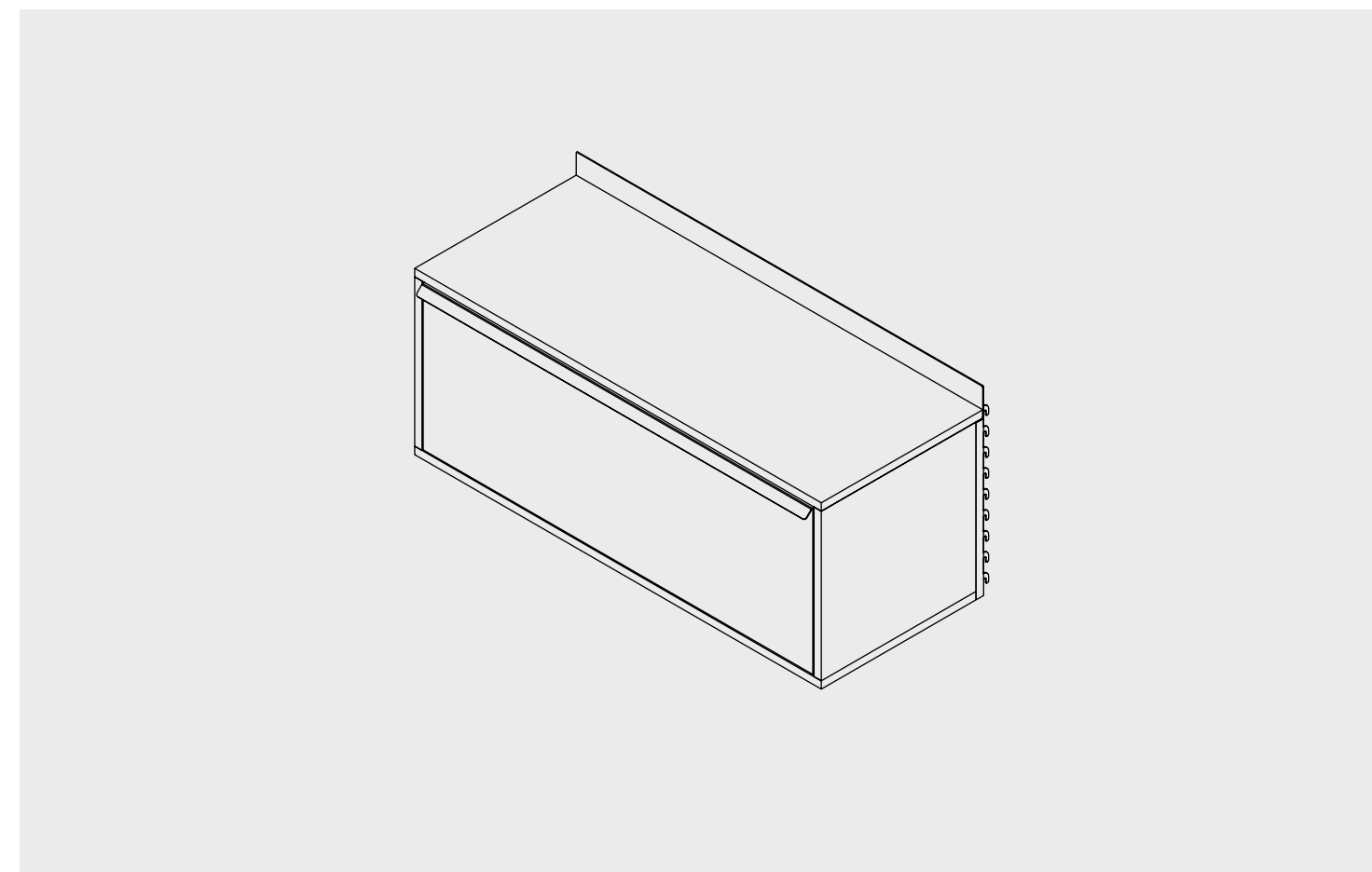


**Two-drawer cabinet**

Available colors



Dimensions	[mm]	[inch]
Width	1007	39.65
Depth	402	15.83
Height	450	17.72
Weight	[kg]	[lbs]
Weight	38.5	62.81
Max. load	20	44.08

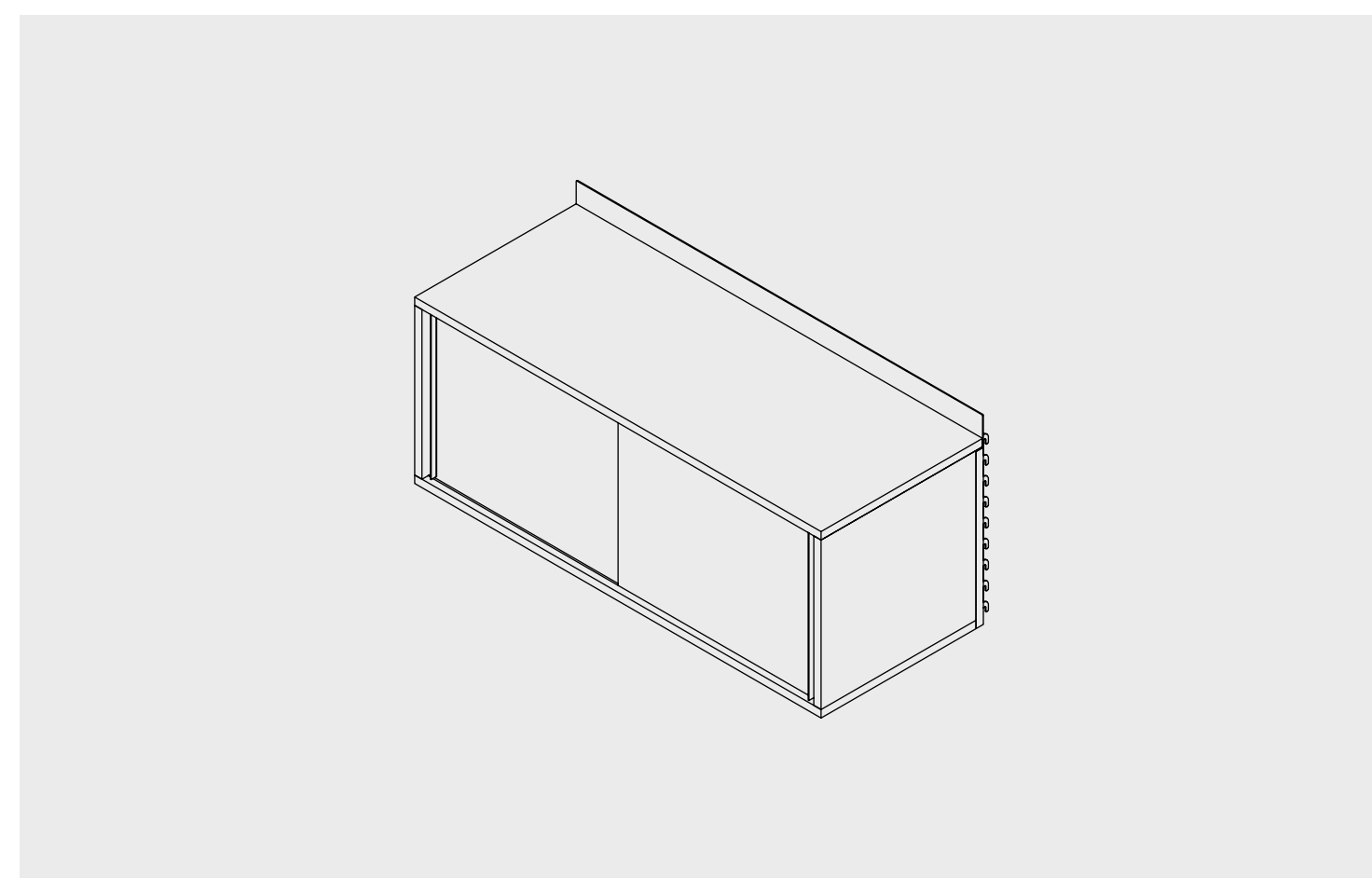


**Deep drawer cabinet**

Available colors



Dimensions	[mm]	[inch]
Width	1007	39.65
Depth	402	15.83
Height	450	17.72
Weight	[kg]	[lbs]
Weight	34	74.94
Max. load	20	44.08



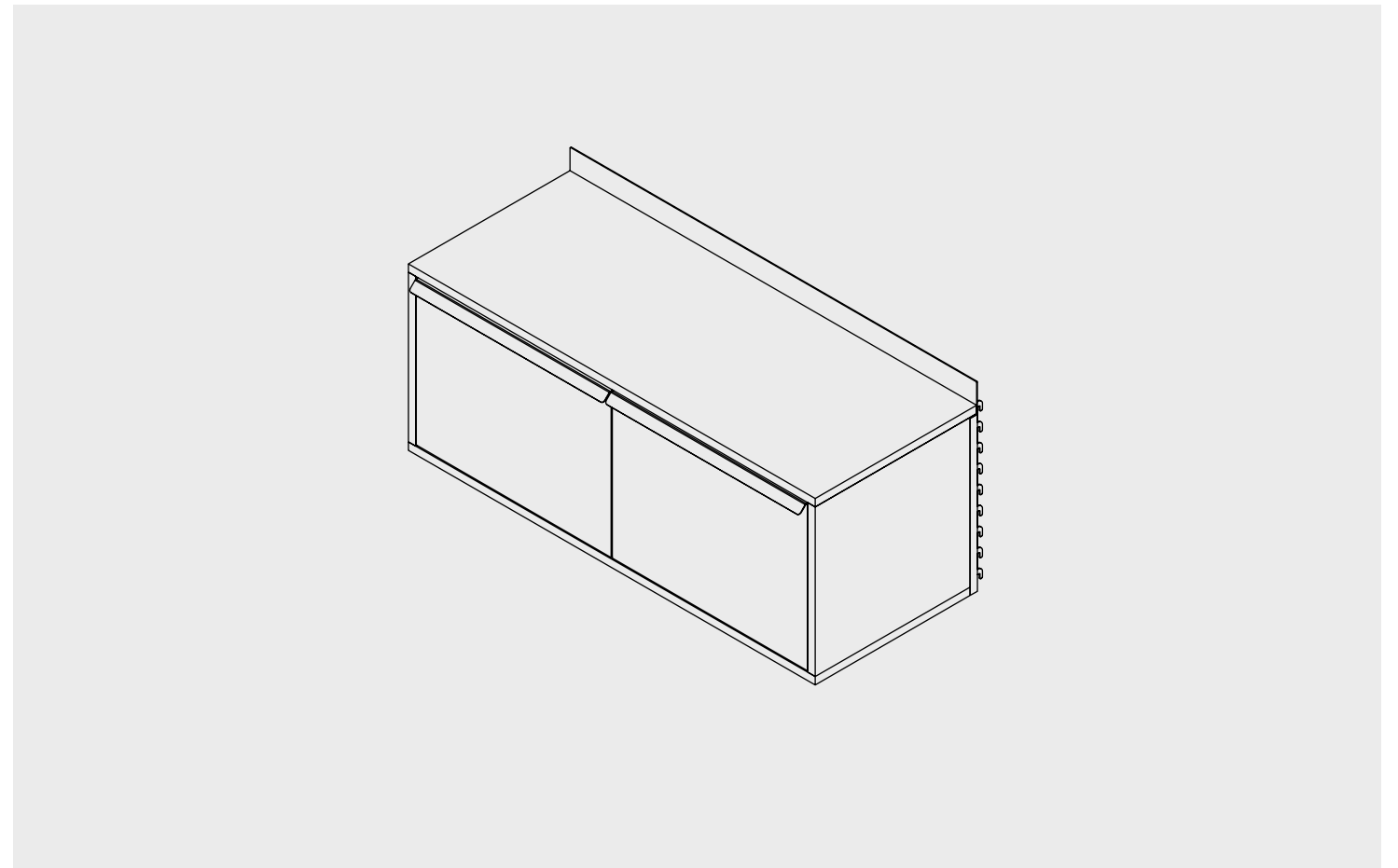
**Sliding door cabinet**

Available colors



Dimensions	[mm]	[inch]
Width	1007	39.65
Depth	402	15.83
Height	450	17.72
Weight	[kg]	[lbs]
Weight	21	48.28
Max. load	20	44.08



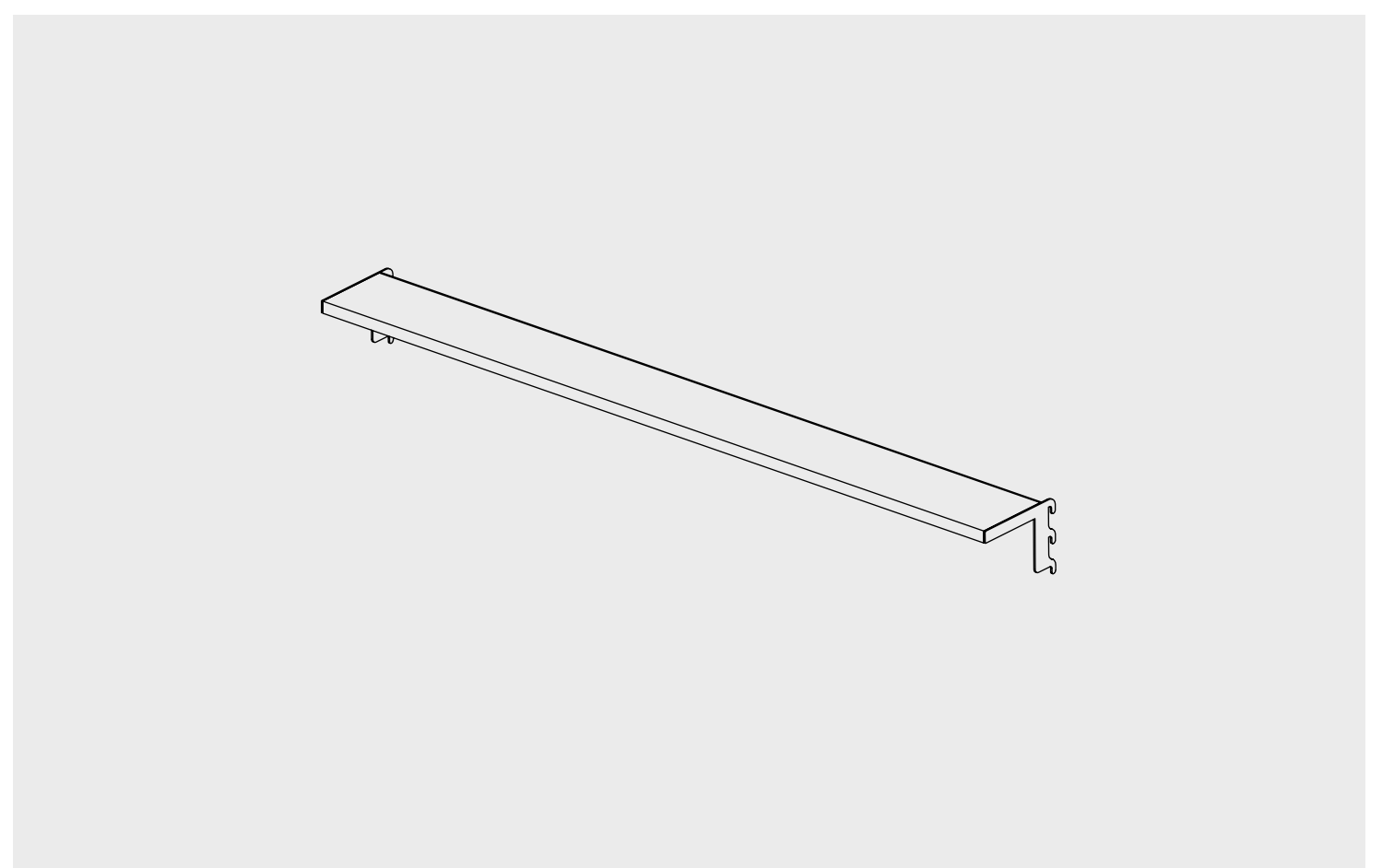
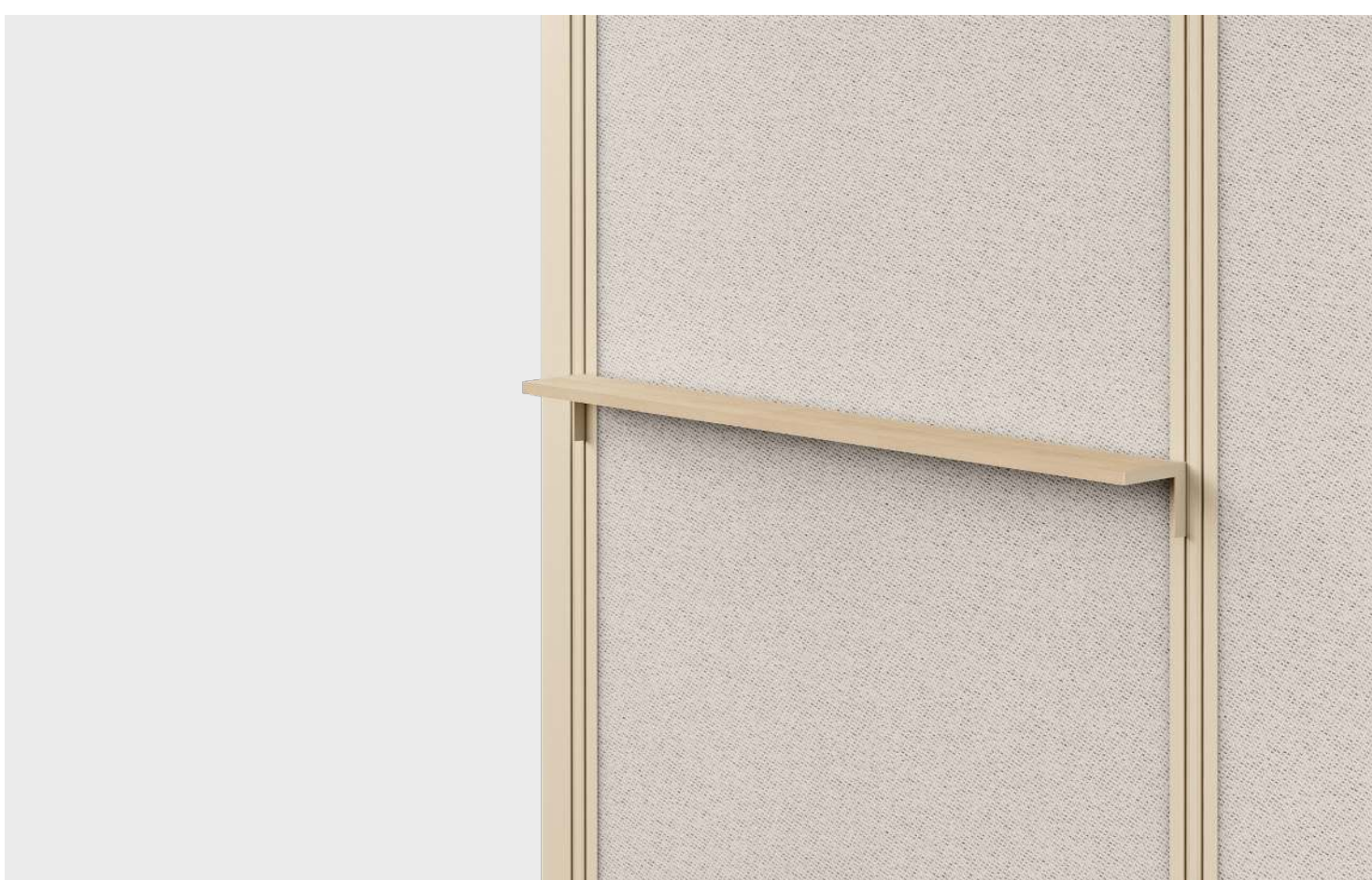


**Hinged door cabinet**

Available colors



Dimensions	[mm]	[inch]
Width	1007	39.65
Depth	402	15.83
Height	450	17.72
Weight	[kg]	[lbs]
Weight	TBA	TBA
Max. load	20	44.08

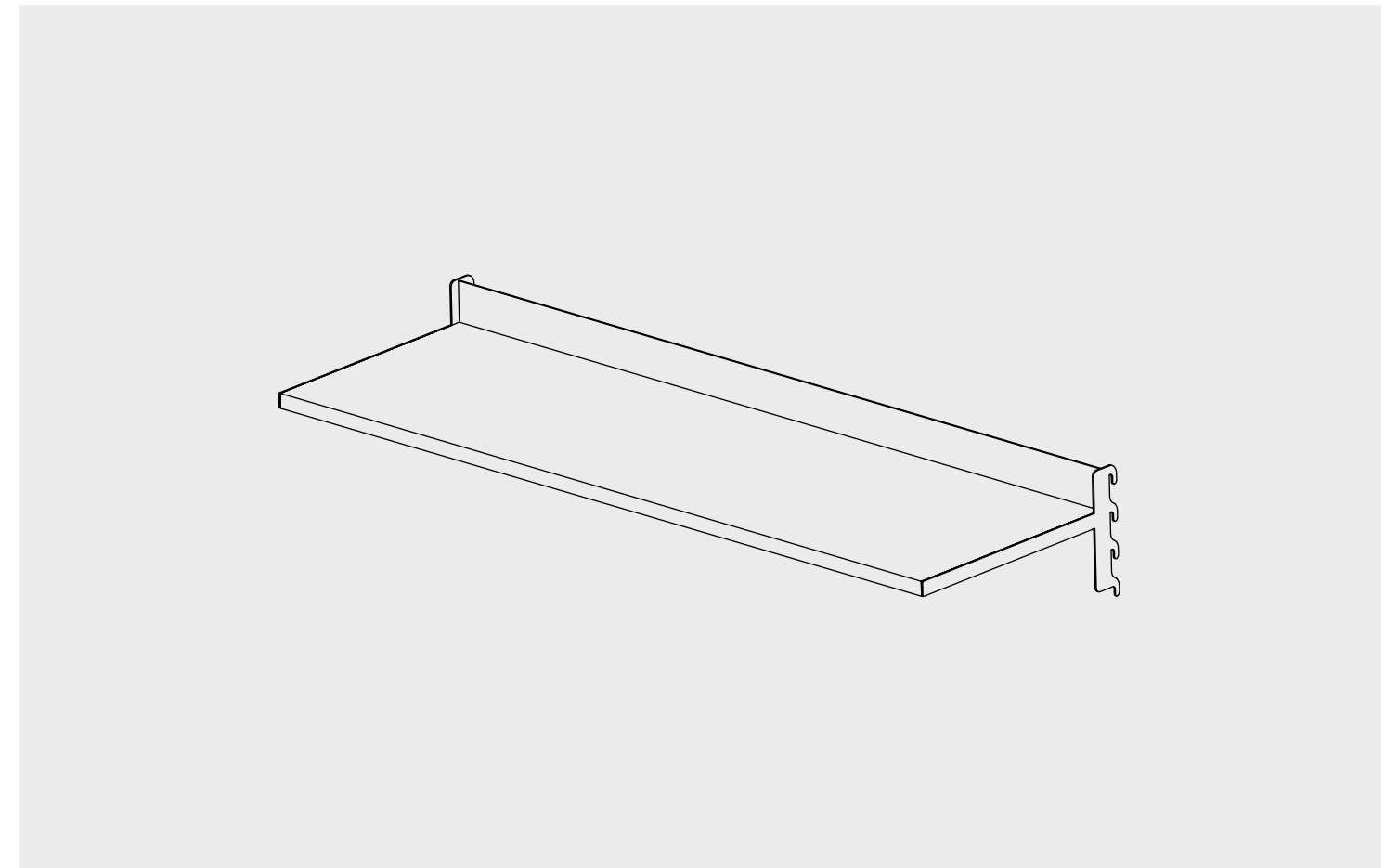


**Shallow shelf**

Available colors



Dimensions	[mm]	[inch]
Width	987.4	38.87
Depth	124	4.88
Height	102	4.02
Weight	[kg]	[lbs]
Weight	2	4.41
Max. load	3	6.61

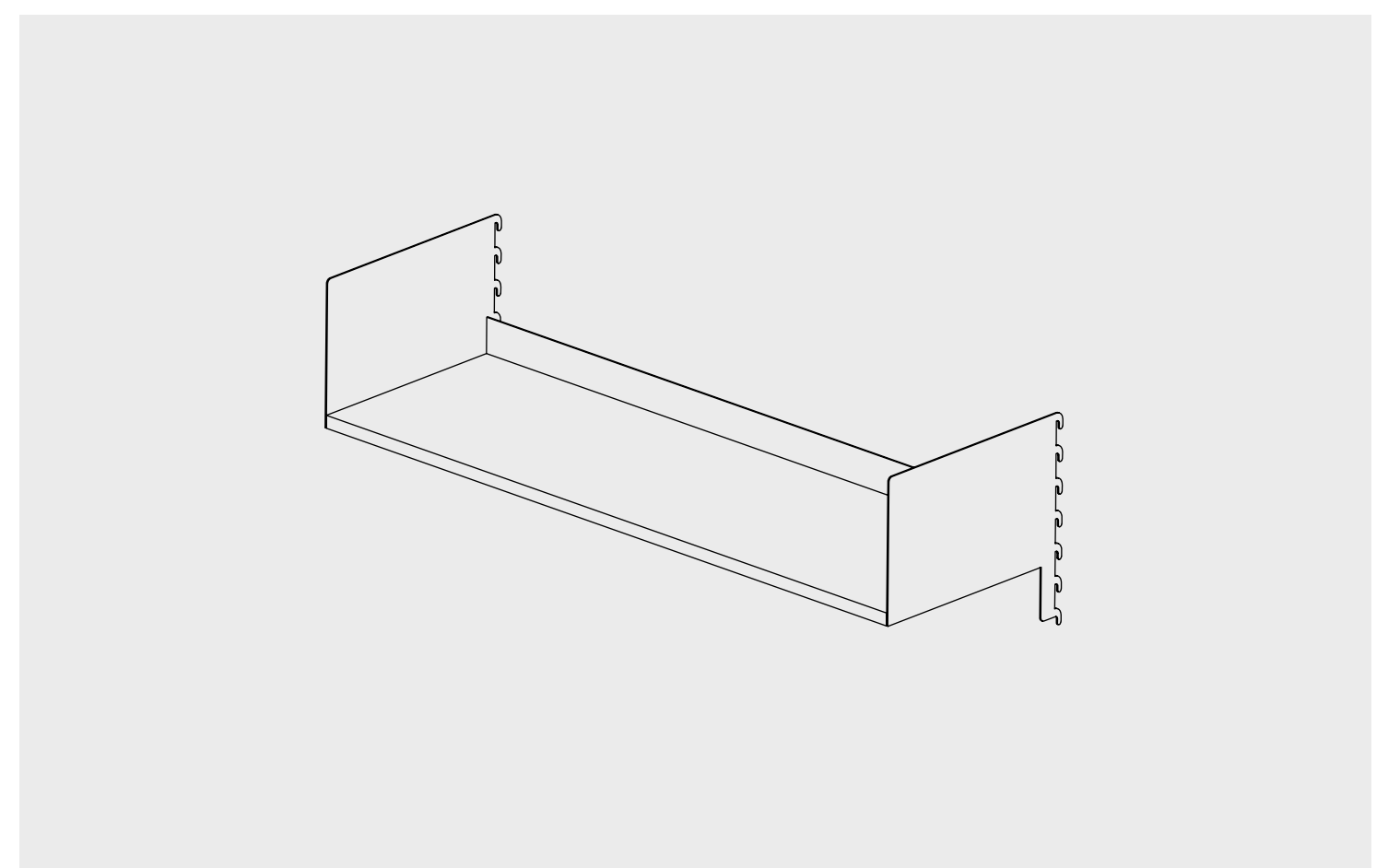


**Deep shelf**

Available colors



Dimensions	[mm]	[inch]
Width	987.4	38.87
Depth	326	12.83
Height	159	6.26
Weight	[kg]	[lbs]
Weight	5	11.02
Max. load	6	13.22

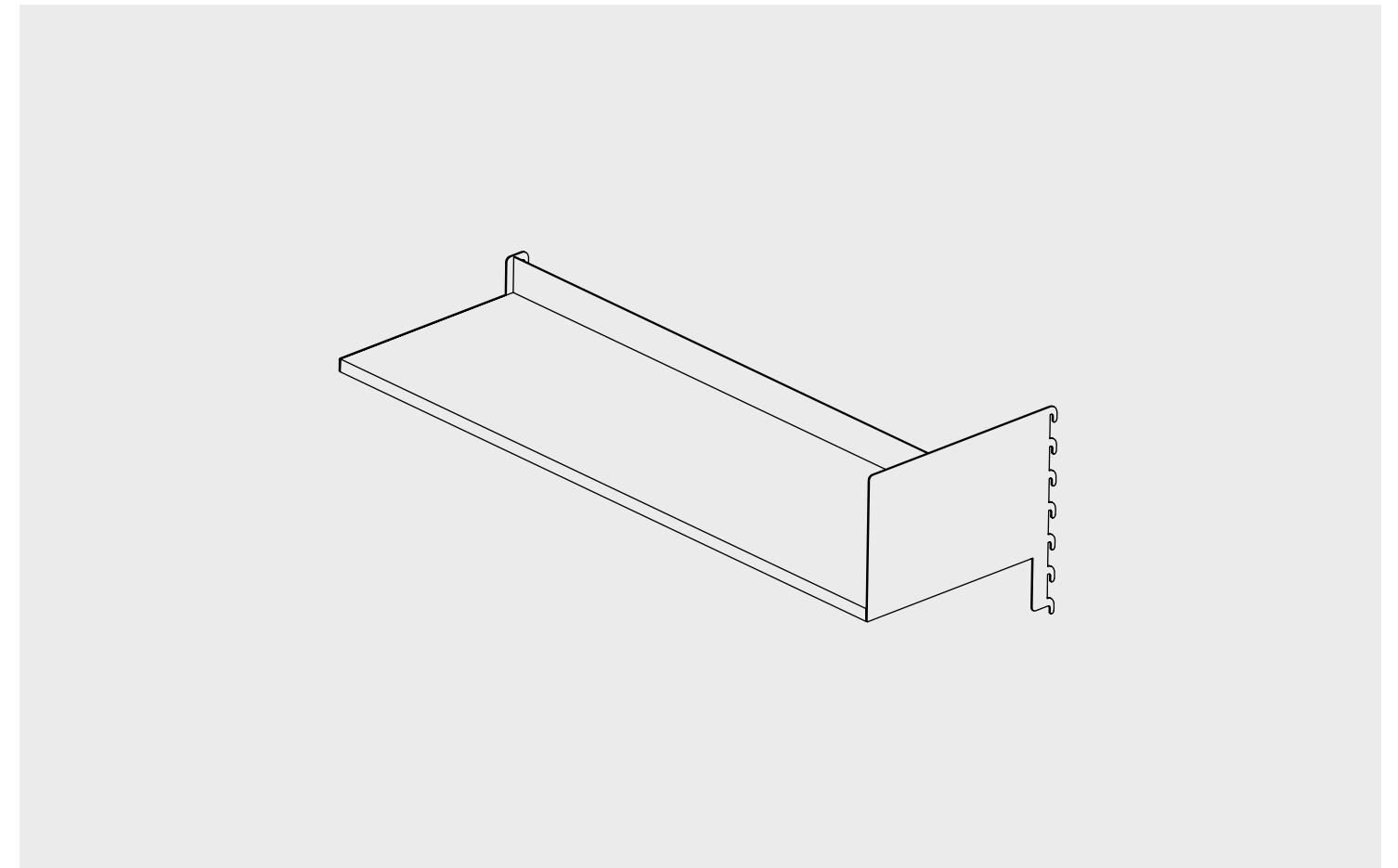


**Deep shelf with bookends**

Available colors



Dimensions	[mm]	[inch]
Width	987.4	38.87
Depth	326	12.83
Height	281	11.06
Weight	[kg]	[lbs]
Weight	7	15.43
Max. load	10	22.04

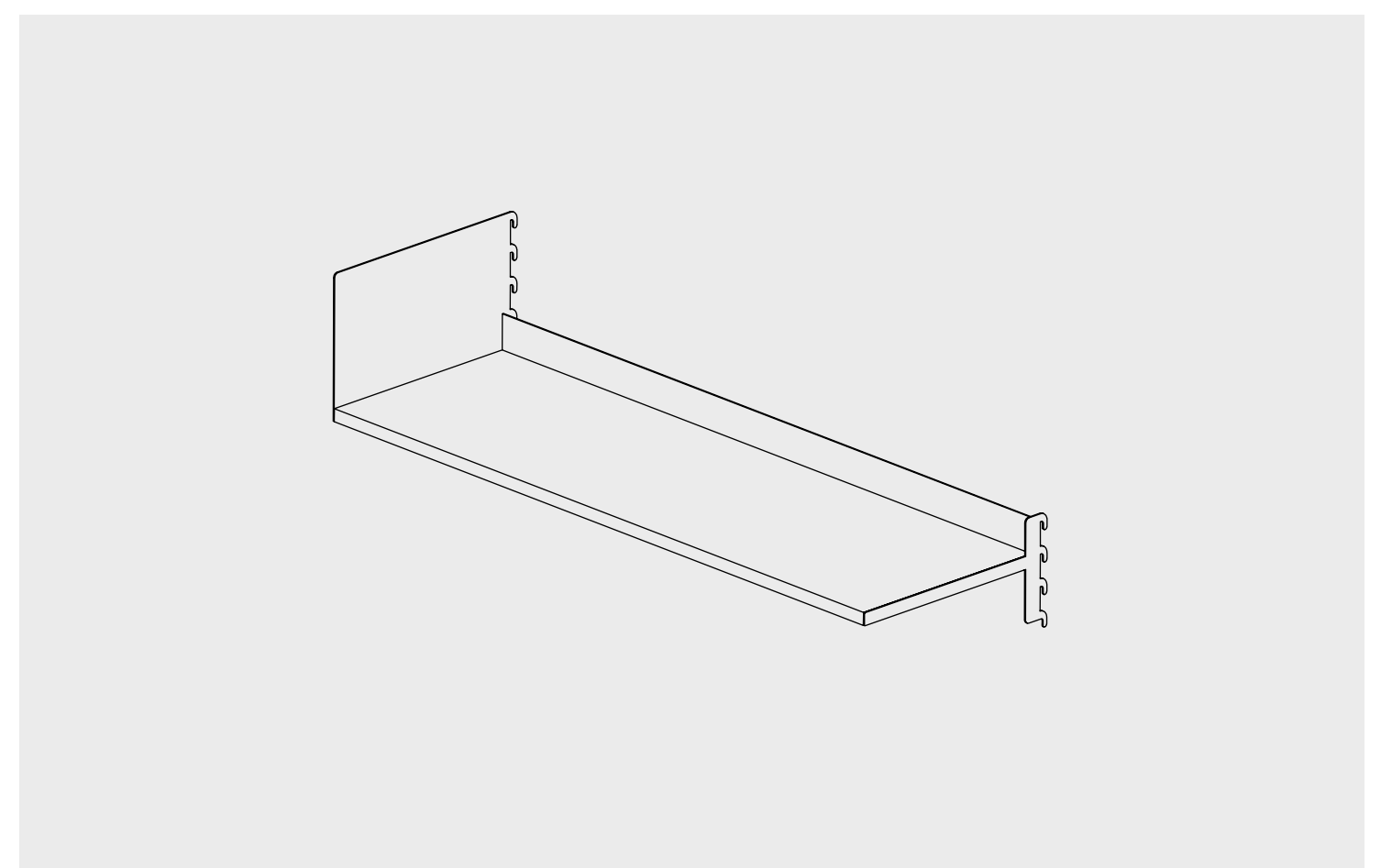


**Deep shelf with right bookend**

Available colors



Dimensions	[mm]	[inch]
Width	987.4	38.87
Depth	326	12.83
Height	281	11.06
Weight	[kg]	[lbs]
Weight	6	13.22
Max. load	10	22.04

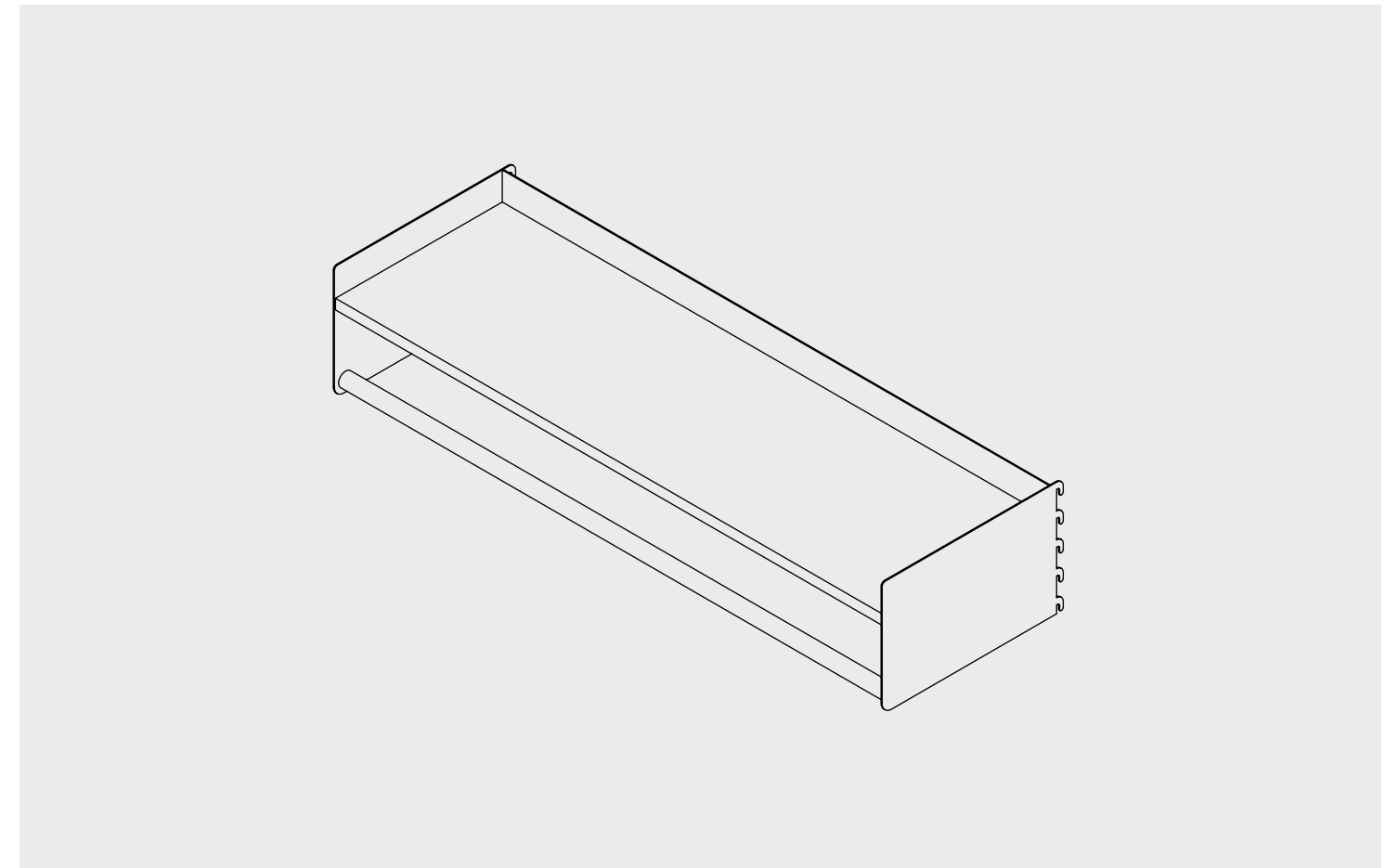


**Deep shelf with left bookend**

Available colors



Dimensions	[mm]	[inch]
Width	987.4	38.87
Depth	326	12.83
Height	281	11.06
Weight	[kg]	[lbs]
Weight	6	13.22
Max. load	10	22.04



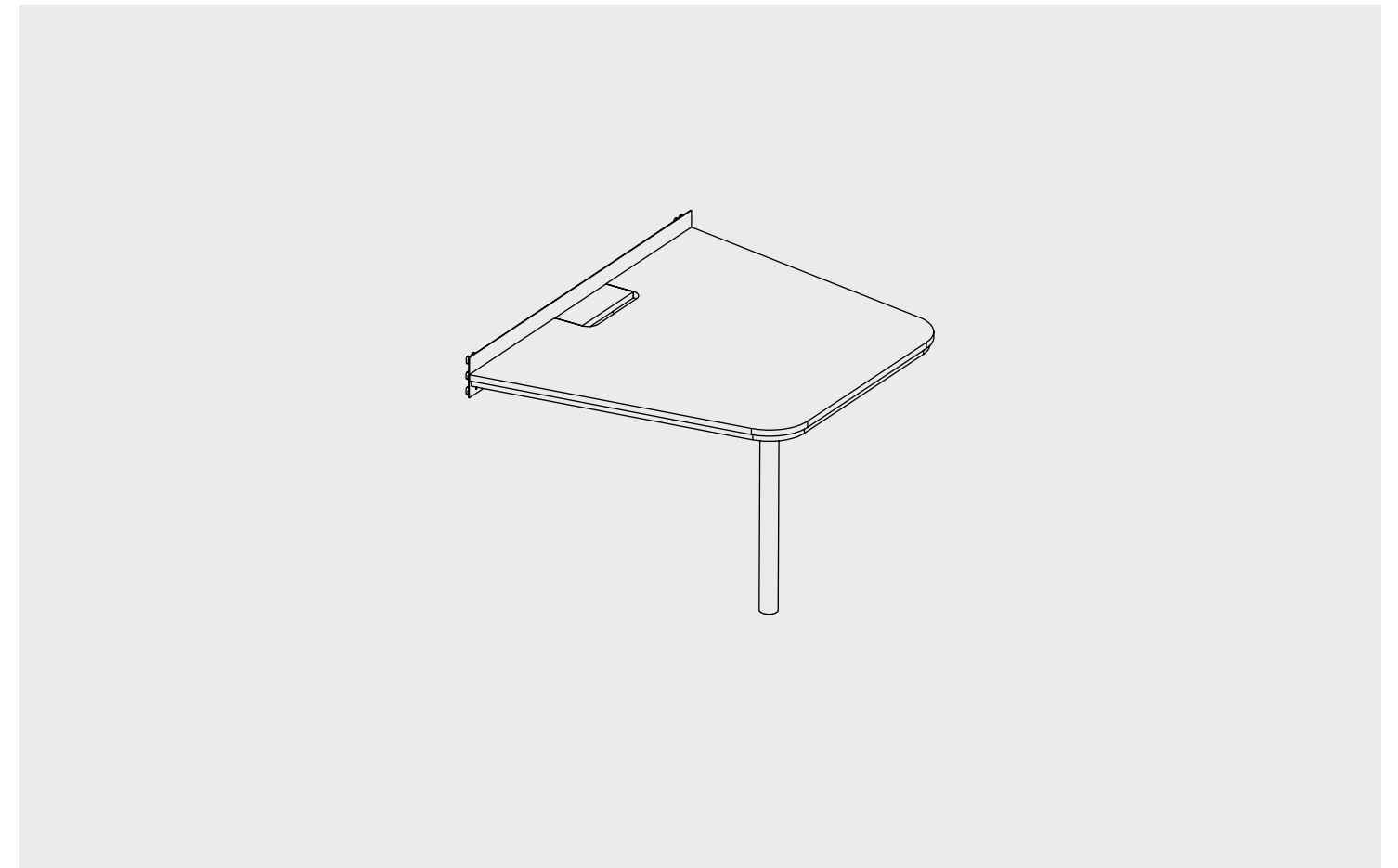
**Deep shelf with rail**

Available colors



Dimensions	[mm]	[inch]
Width	987.4	38.87
Depth	314	12.36
Height	205	8.07
Weight	[kg]	[lbs]
Weight	8	17.63
Max. load	10	22.04

# Tables and desks



**Low table for 2-3 people**

Available colors



Dimensions	[mm]	[inch]
Width	900	35.43
Depth	1080.8	42.55
Height	798	31.42
Weight	[kg]	[lbs]
Weight	TBA	TBA
Max. load	40	88.16



**High table for 2-3 people**

Available colors



Dimensions	[mm]	[inch]
Width	900	35.43
Depth	1080.8	42.55
Height	1018	40.08
Weight	[kg]	[lbs]
Weight	TBA	TBA
Max. load	40	88.16



**Low table for 3-5 people**

Available colors



Dimensions	[mm]	[inch]
Width	1650	64.96
Depth	1080.8	42.55
Height	798	31.42
Weight	[kg]	[lbs]
Weight	TBA	TBA
Max. load	40	88.16

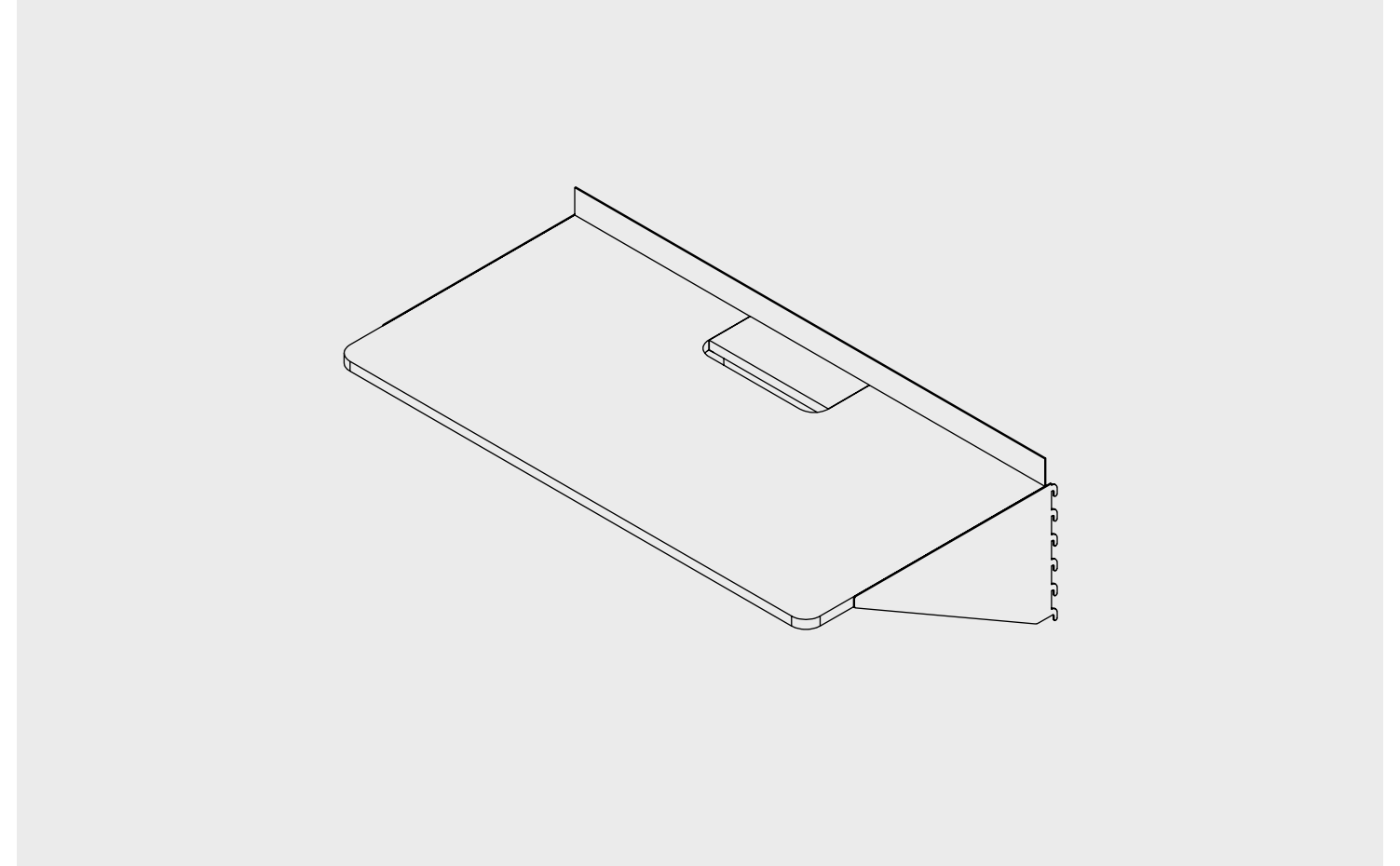


**High table for 3-5 people**

Available colors



Dimensions	[mm]	[inch]
Width	1650	64.96
Depth	1080.8	42.55
Height	1018	40.08
Weight	[kg]	[lbs]
Weight	TBA	TBA
Max. load	40	88.16



**Desk**

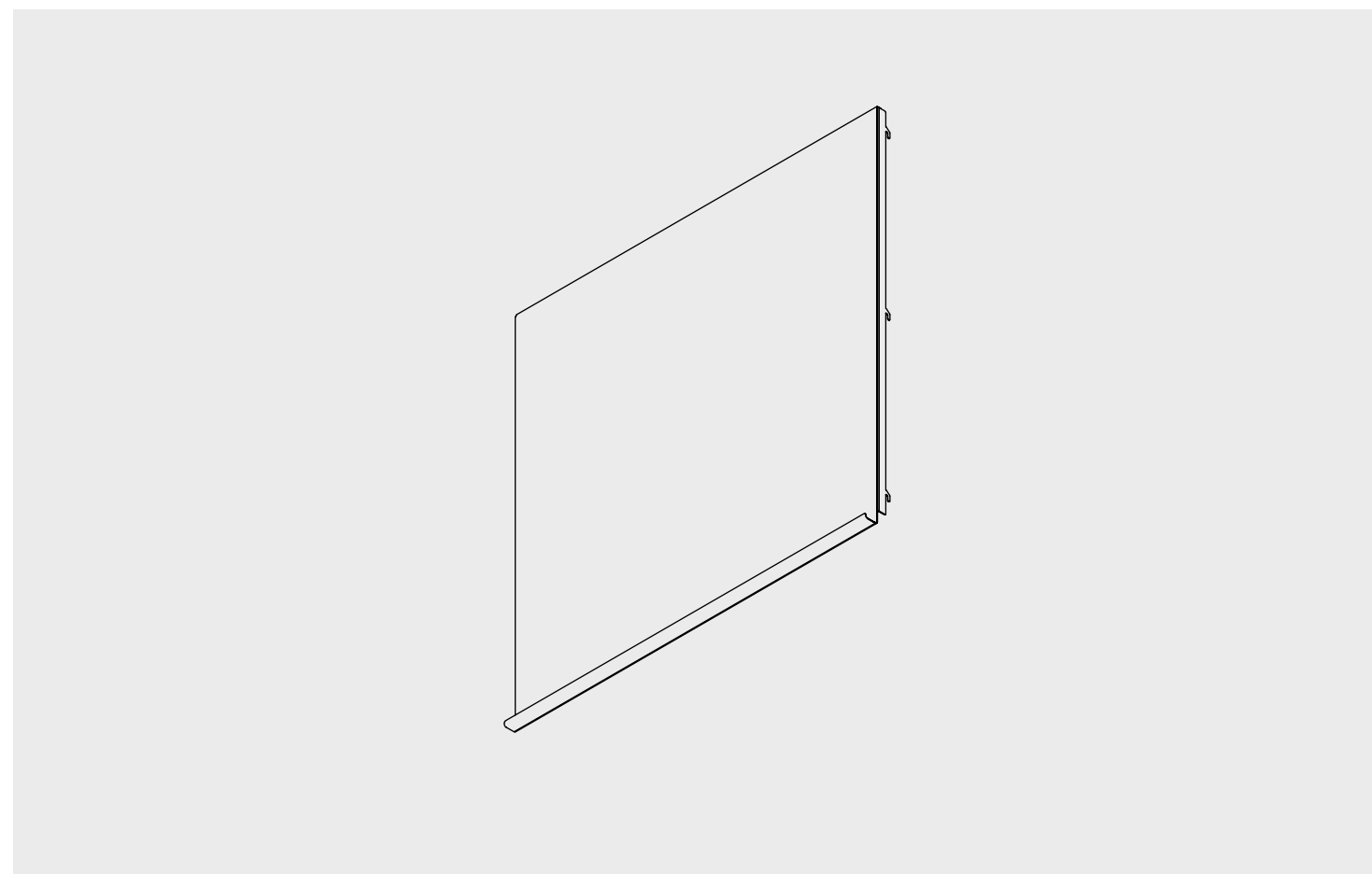
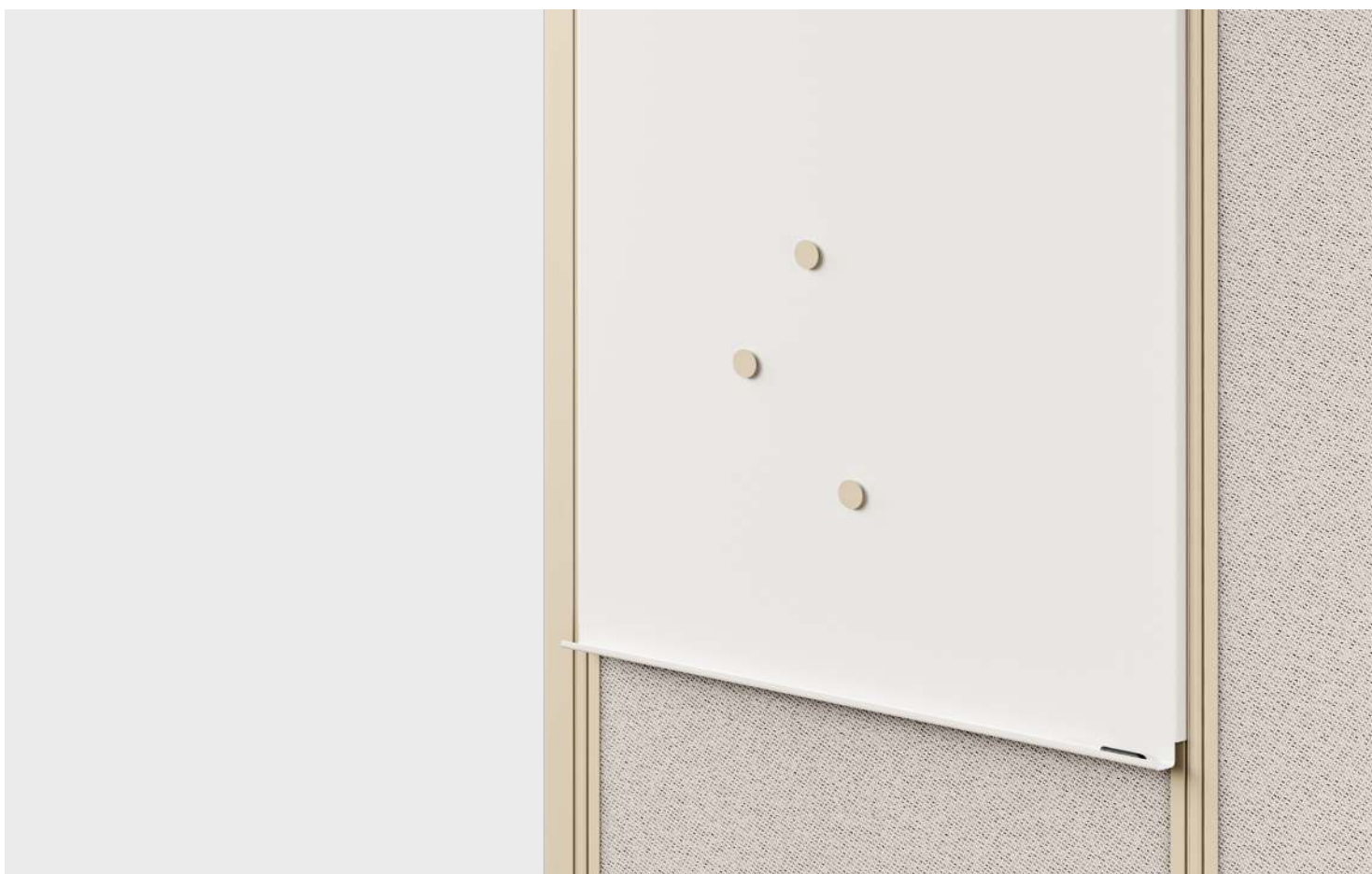
Available colors



Dimensions	[mm]	[inch]
Width	985.5	38.80
Depth	502	19.88
Height	239	9.41
Weight	[kg]	[lbs]
Weight	11.5	25.35
Max. load	20	44.08



# Accessories

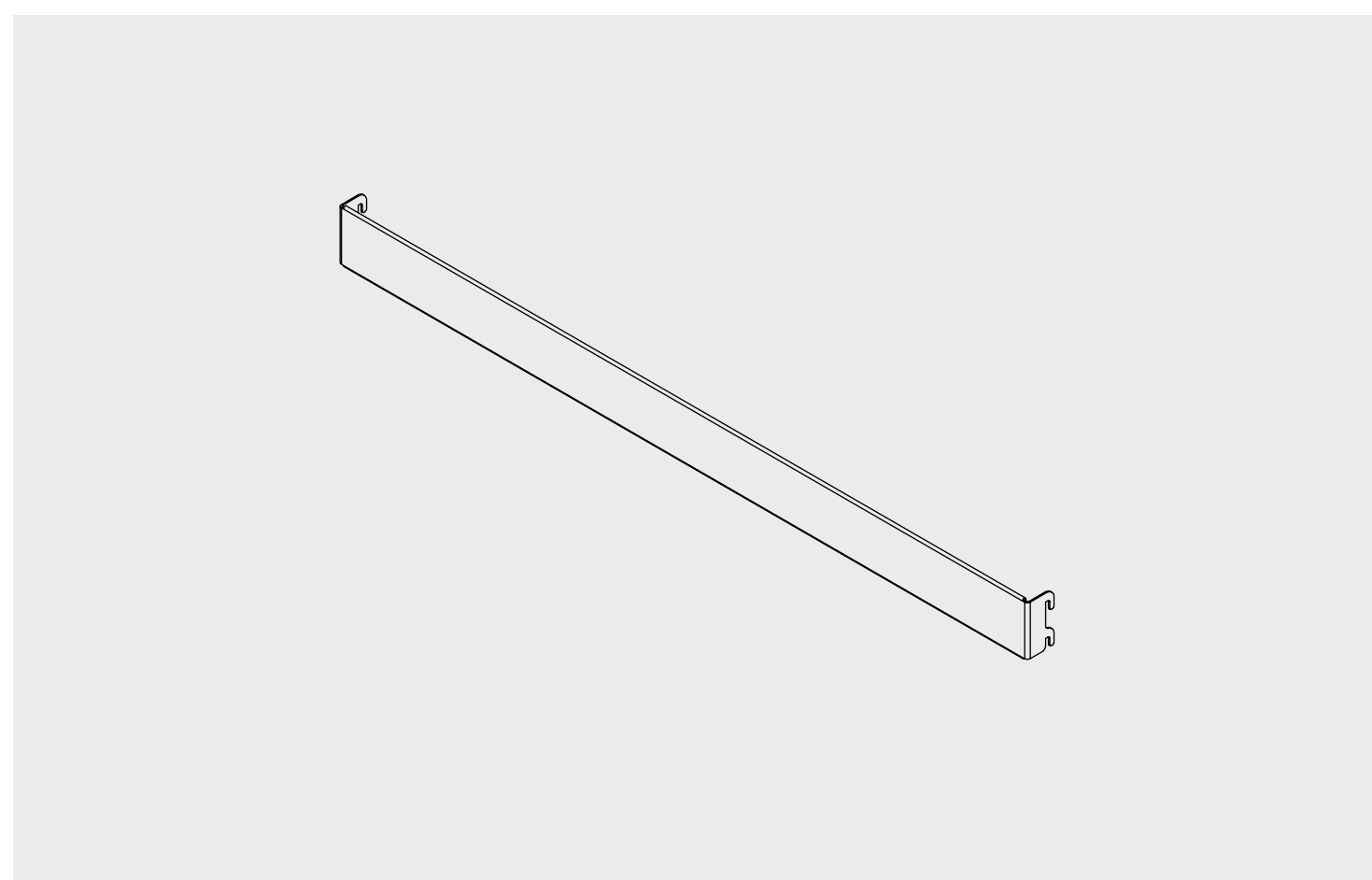
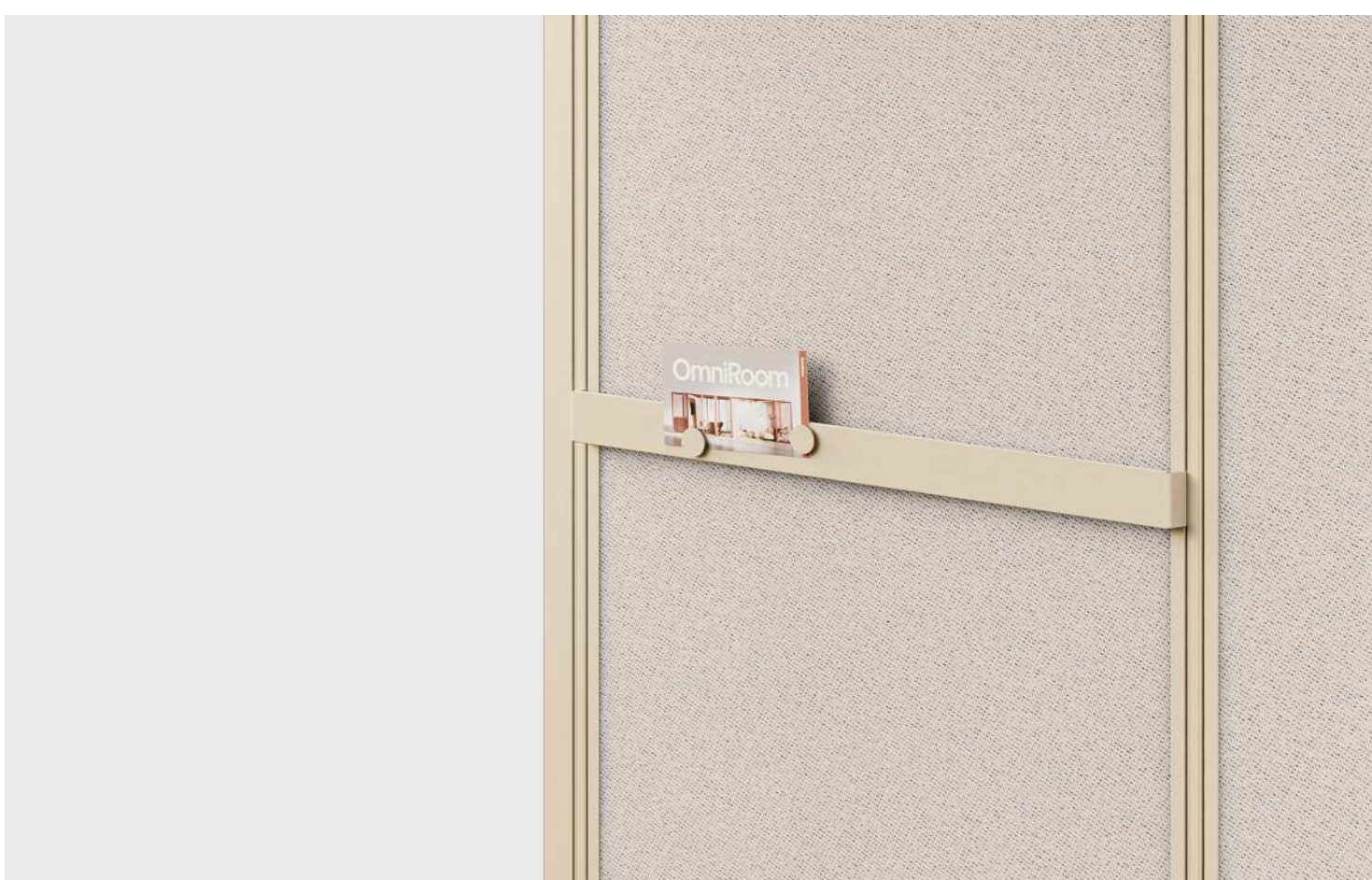


**Whiteboard**

Available colors



Dimensions	[mm]	[inch]
Width	986.6	38.84
Depth	56	2.20
Height	1037	40.83
Weight	[kg]	[lbs]
Weight	11.2	24.68

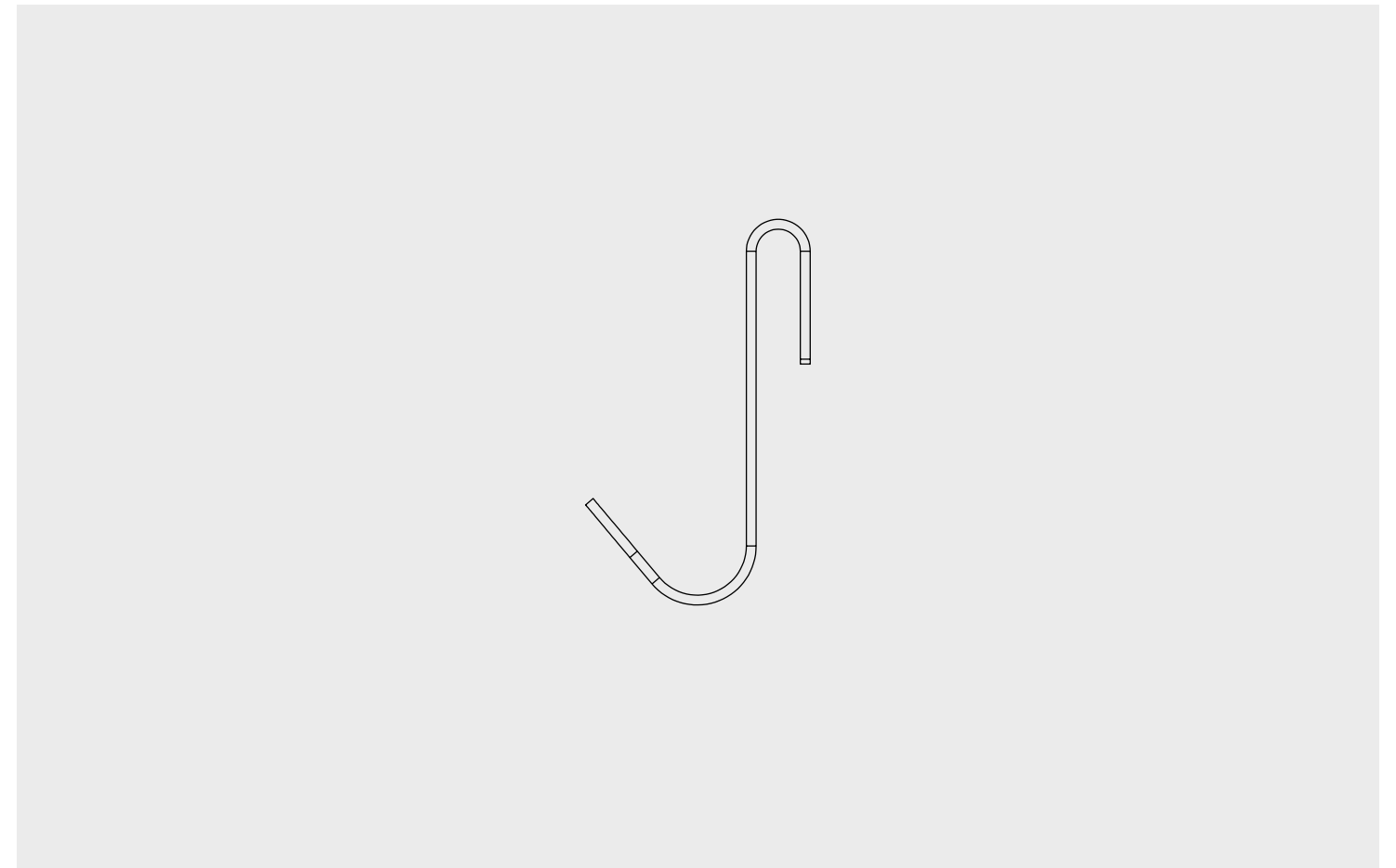


**Display rail**

Available colors



Dimensions	[mm]	[inch]
Width	838	32.99
Depth	-	-
Height	55	2.17
Weight	[kg]	[lbs]
Weight	1.5	3.31

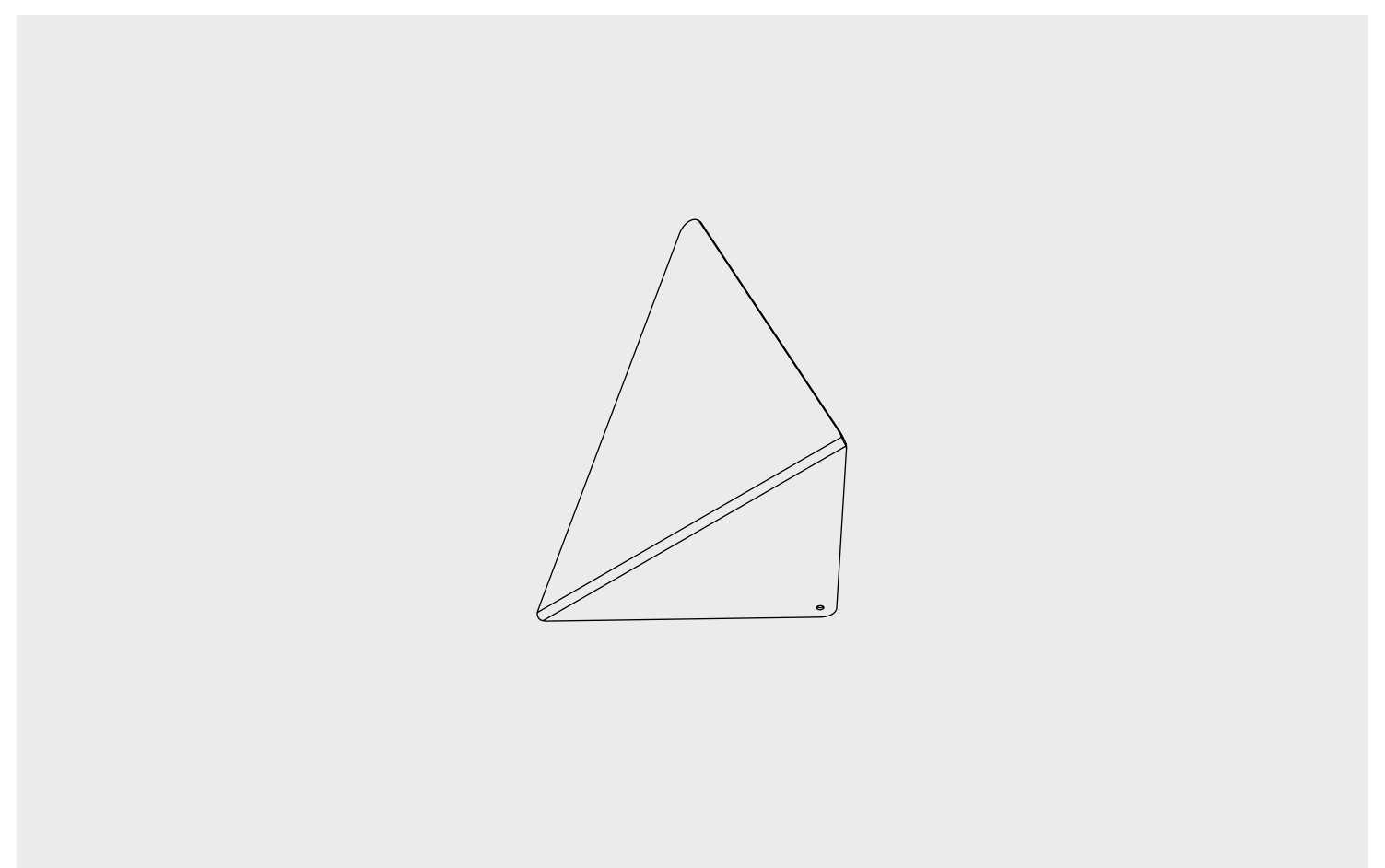


**Display rail hook**

Available colors



Dimensions	[mm]	[inch]
Width	28	1.1
Depth	34.7	1.37
Height	78.5	3.09

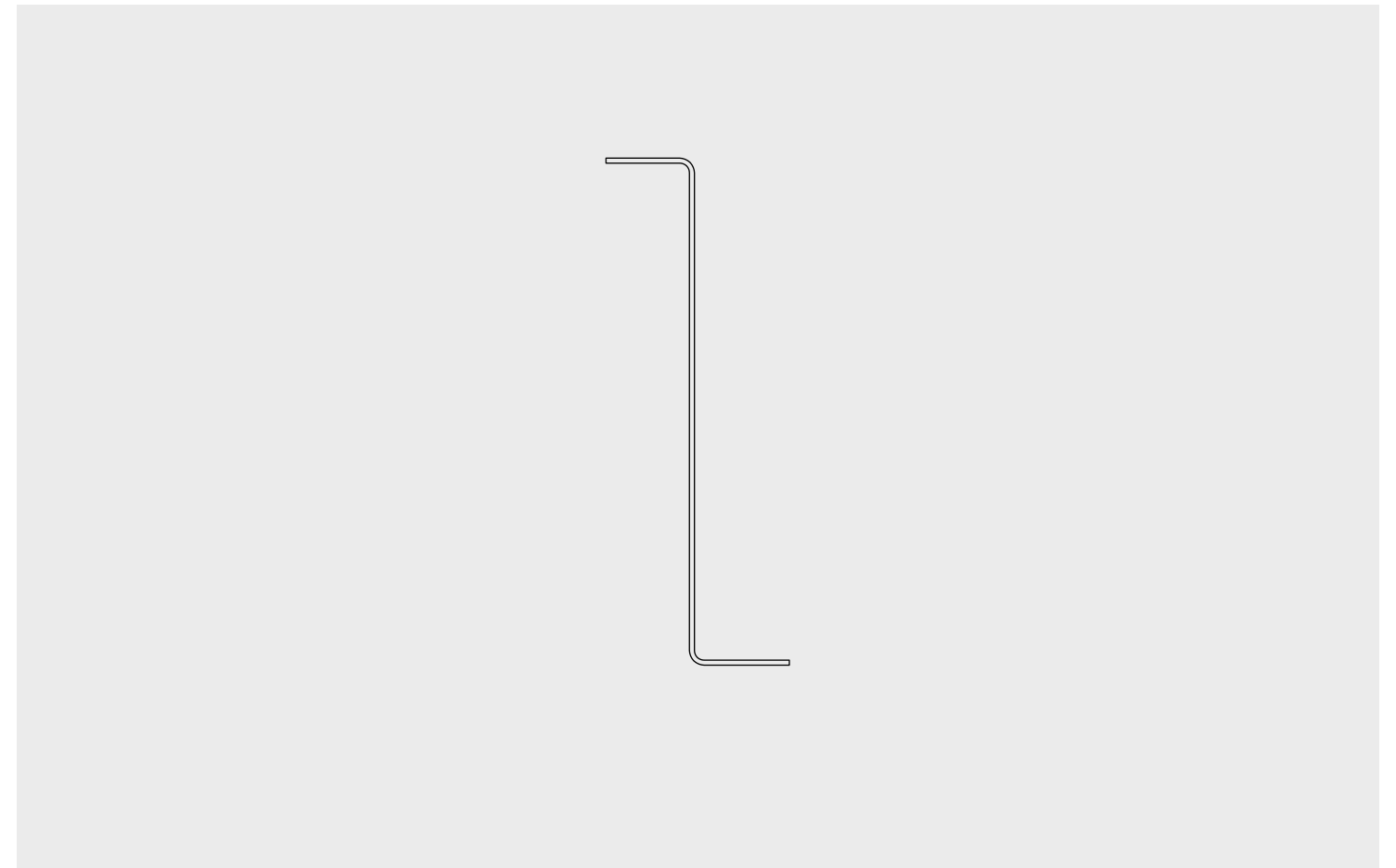


**Bookend**

Available colors



Dimensions	[mm]	[inch]
Width	87	3.43
Depth	-	-
Height	162	6.38

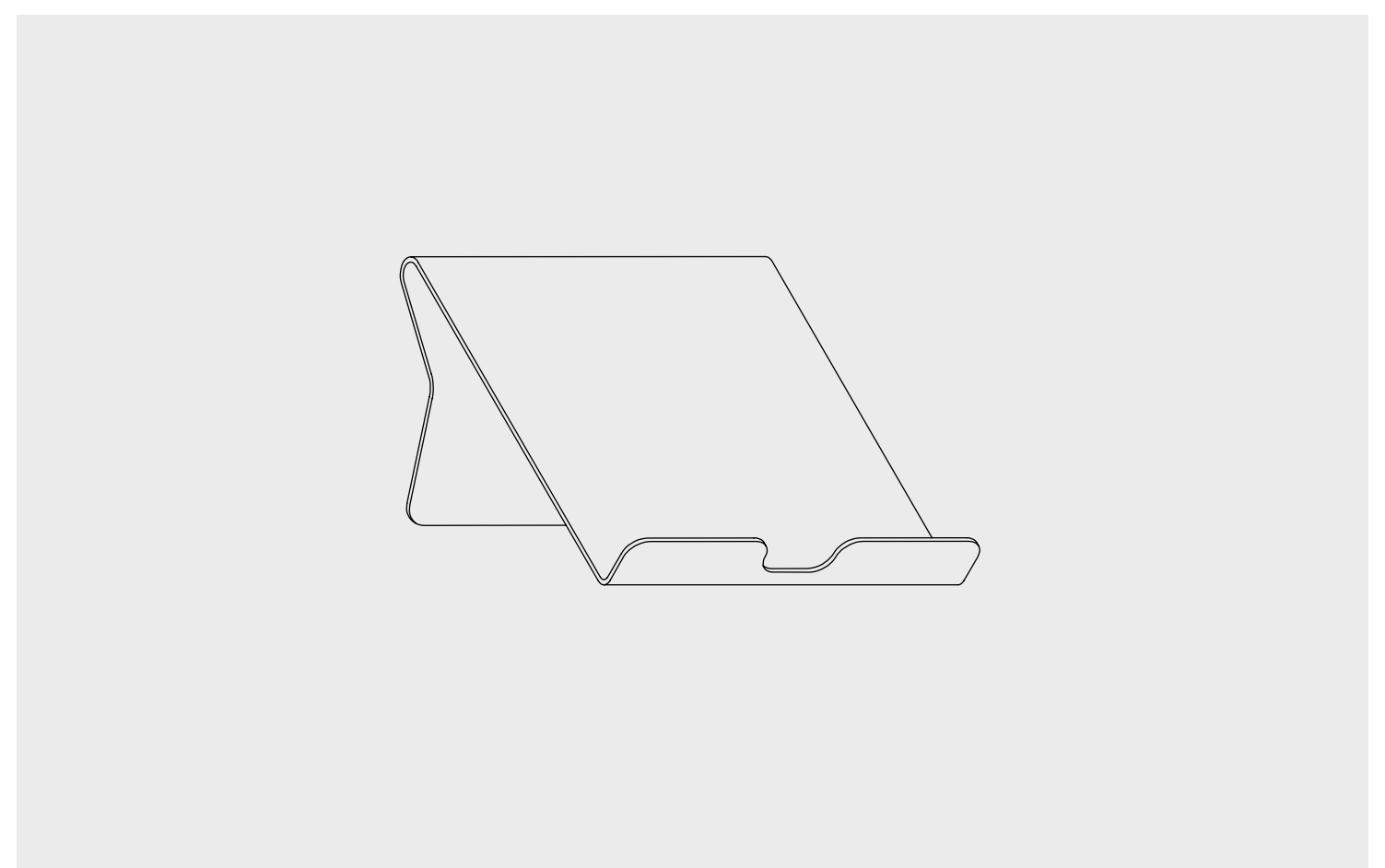


**Display stand**

Available colors



Dimensions	[mm]	[inch]
Width	100	3.94
Depth	-	-
Height	103	4.06



**Phone holder**

Available colors



Dimensions	[mm]	[inch]
Width	63	2.48
Depth	-	-
Height	136	5.35

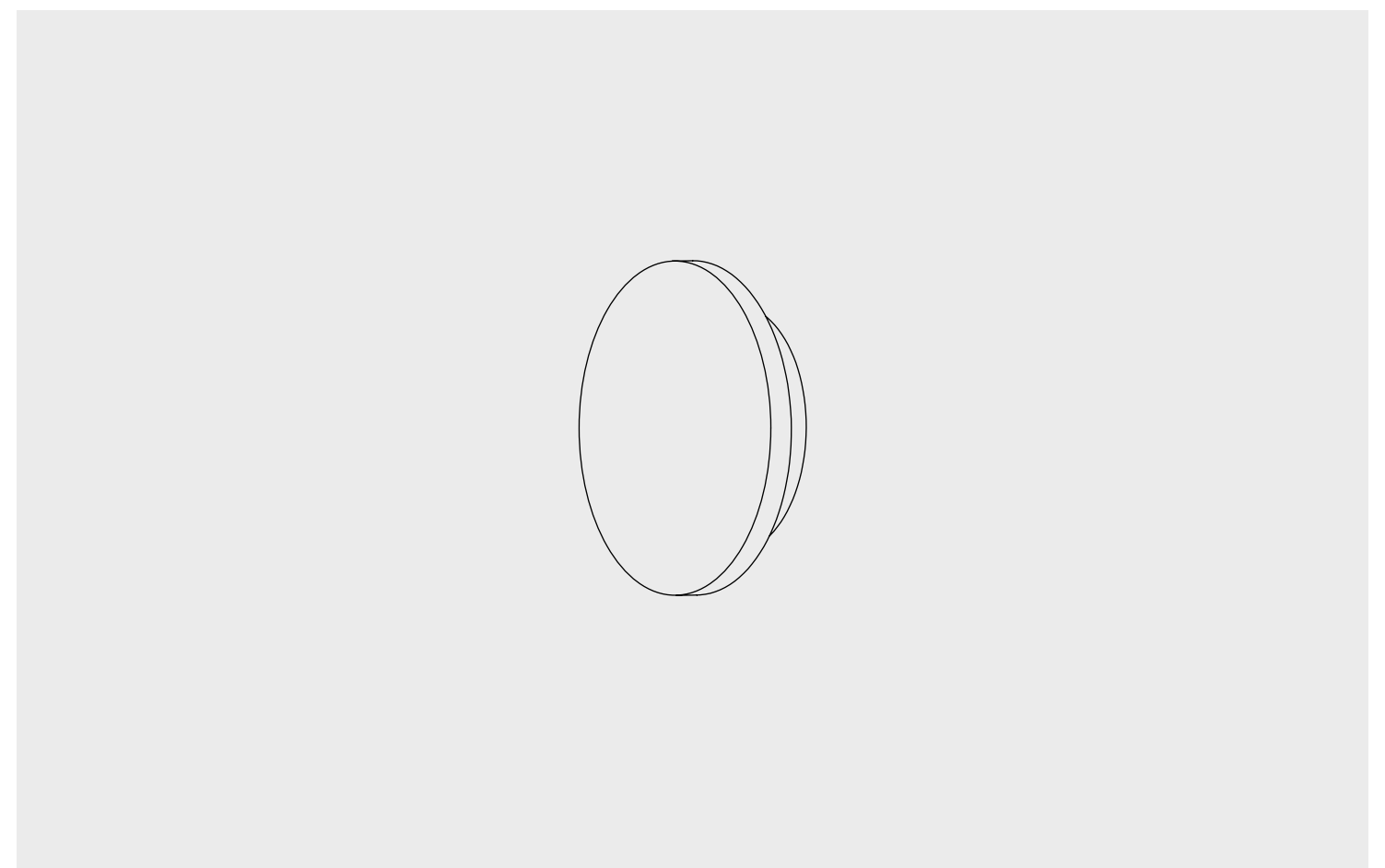
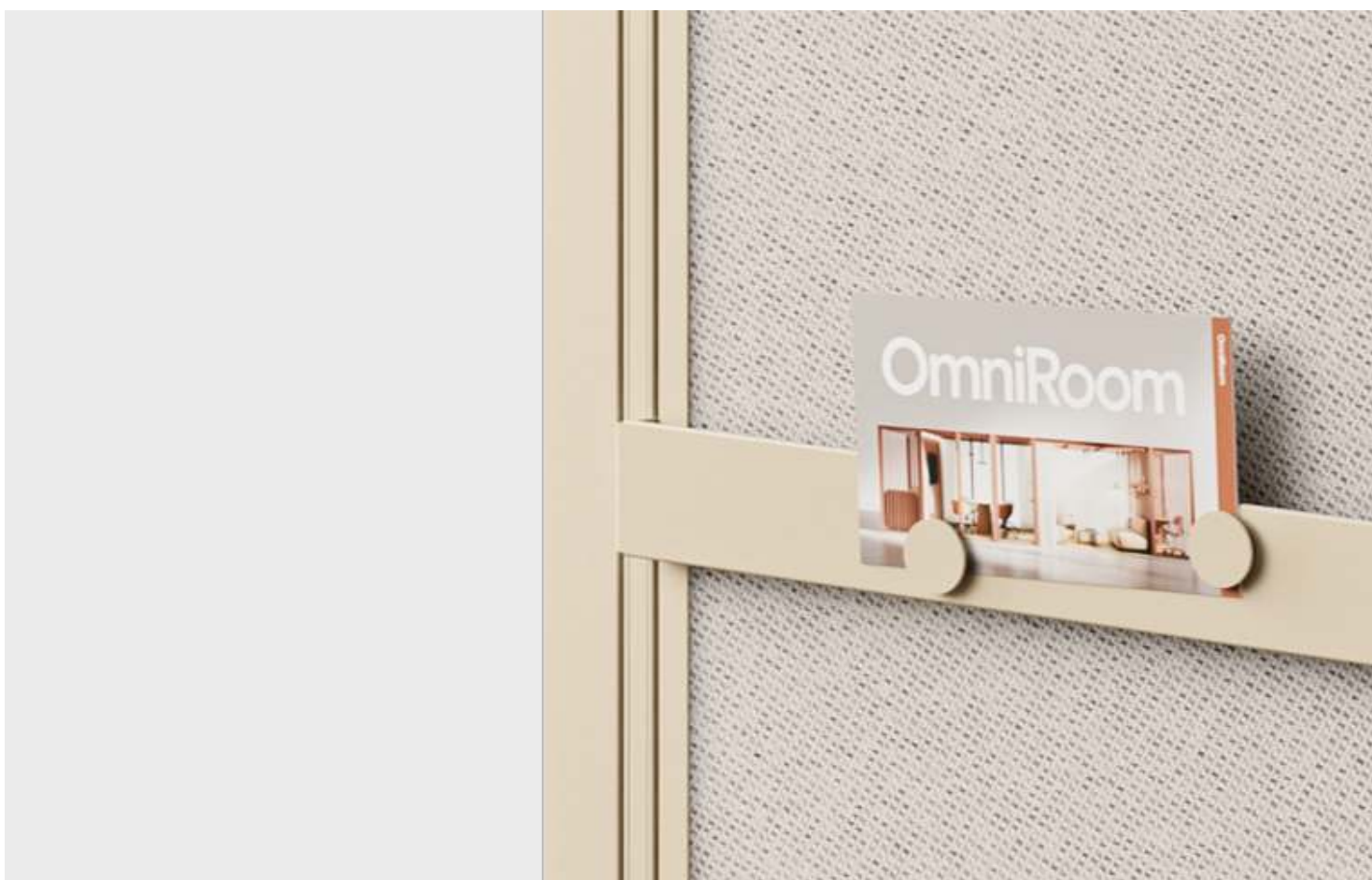


**Wall hook**

Available colors



Dimensions	[mm]	[inch]
Width	24	0.94
Depth	-	-
Height	67	2.64

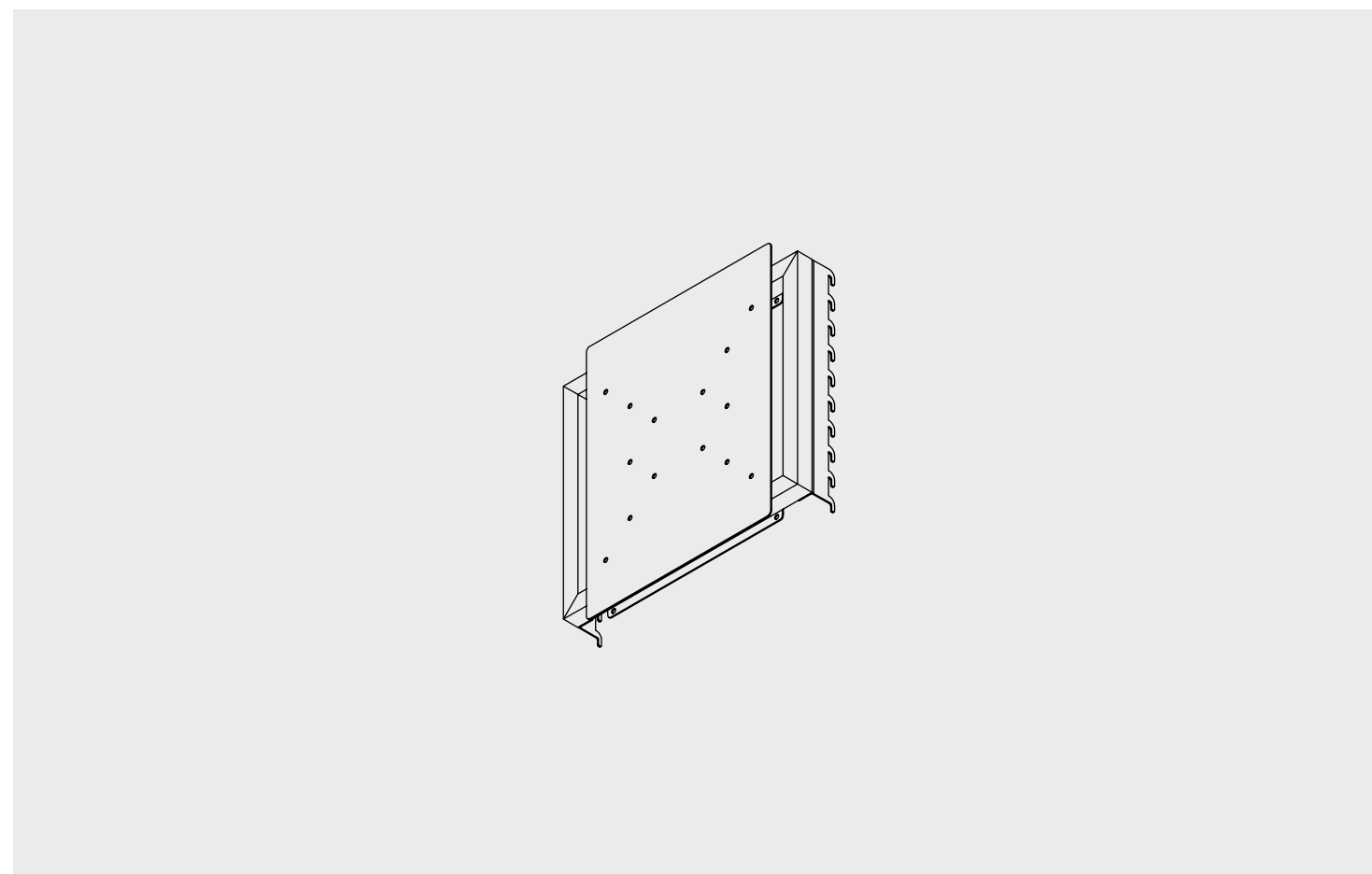
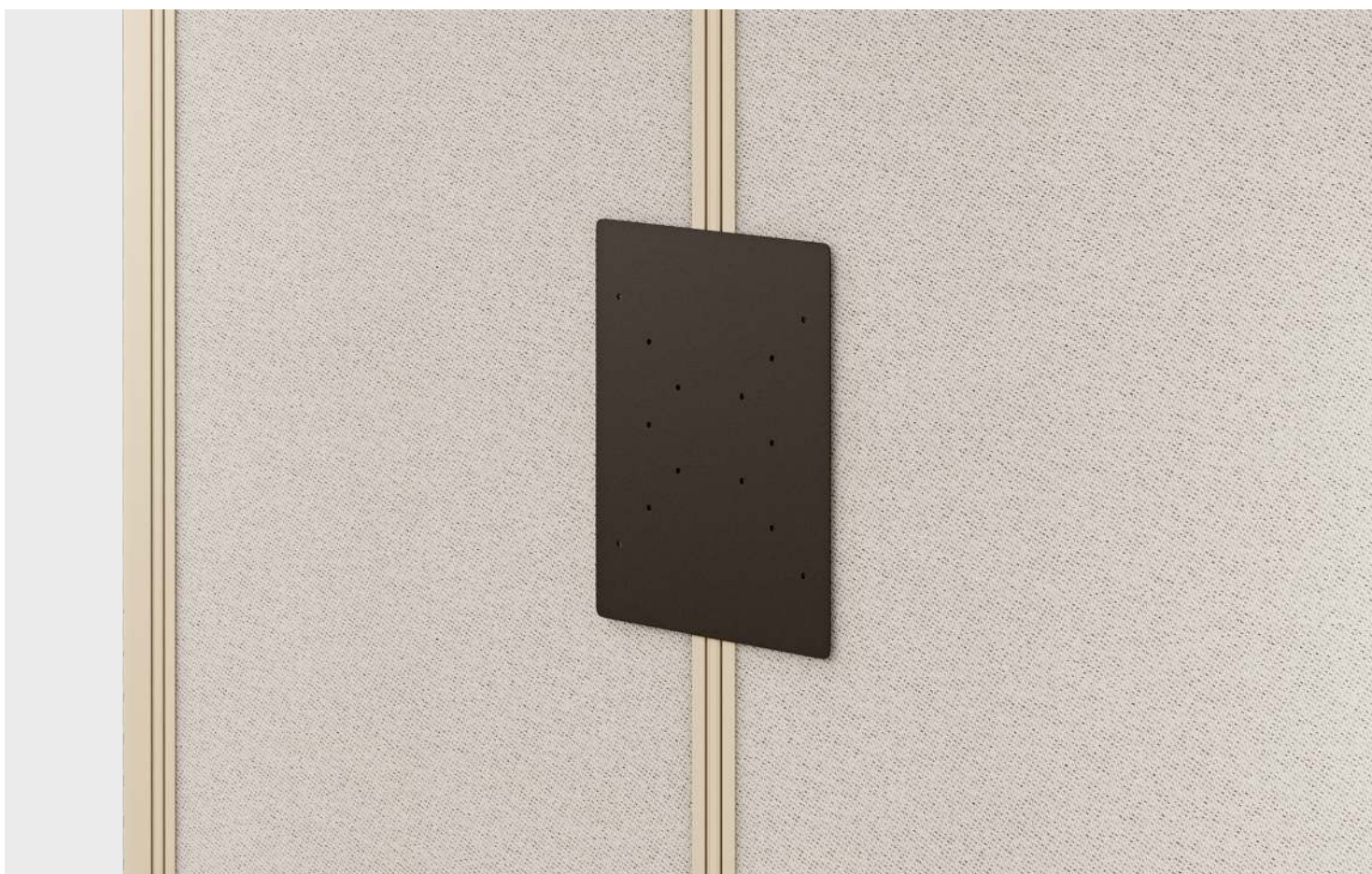


**Magnet**

Available colors



Dimensions	[mm]	[inch]
Width	40	1.57
Depth	-	-
Height	9	0.35



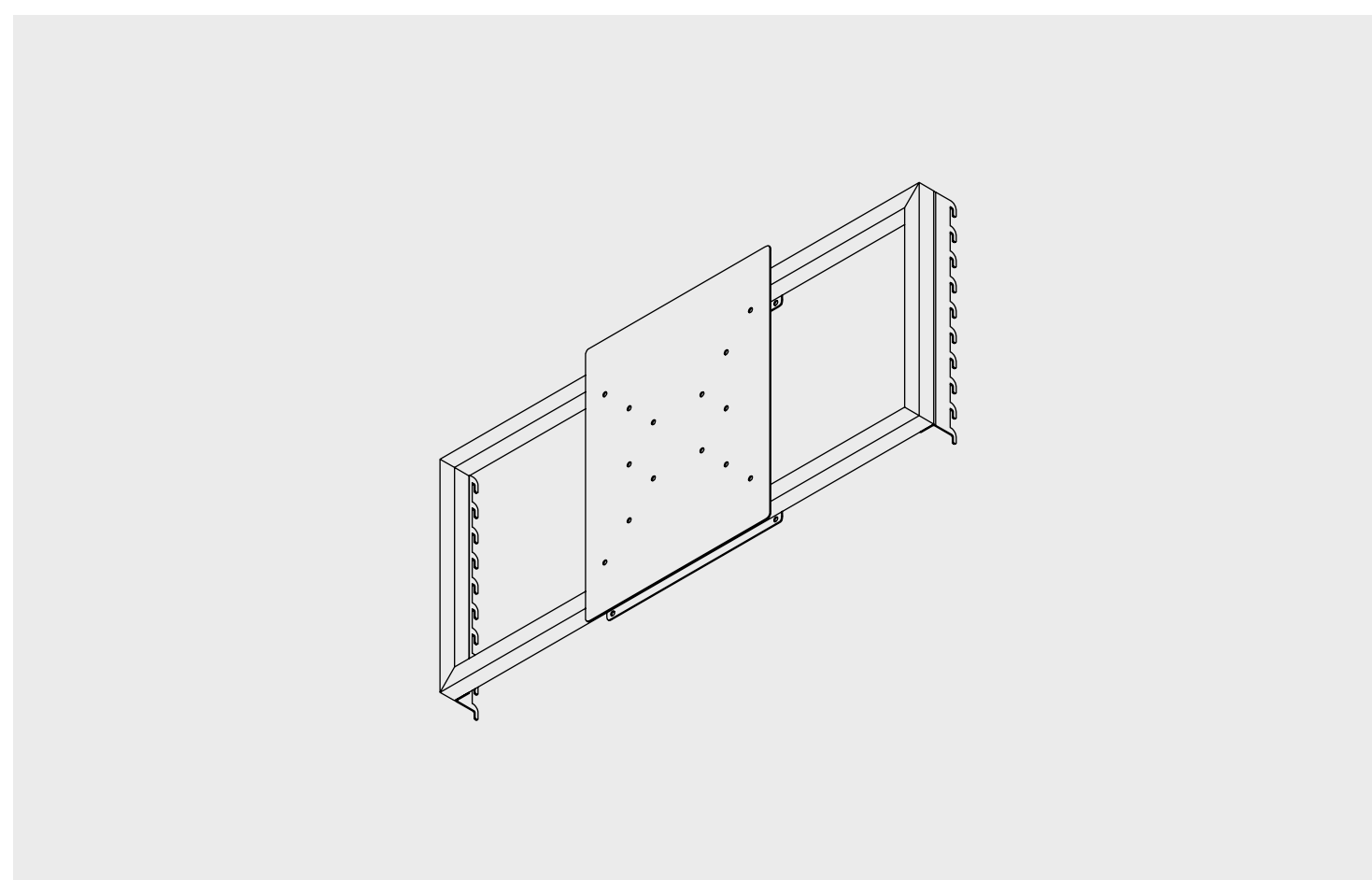
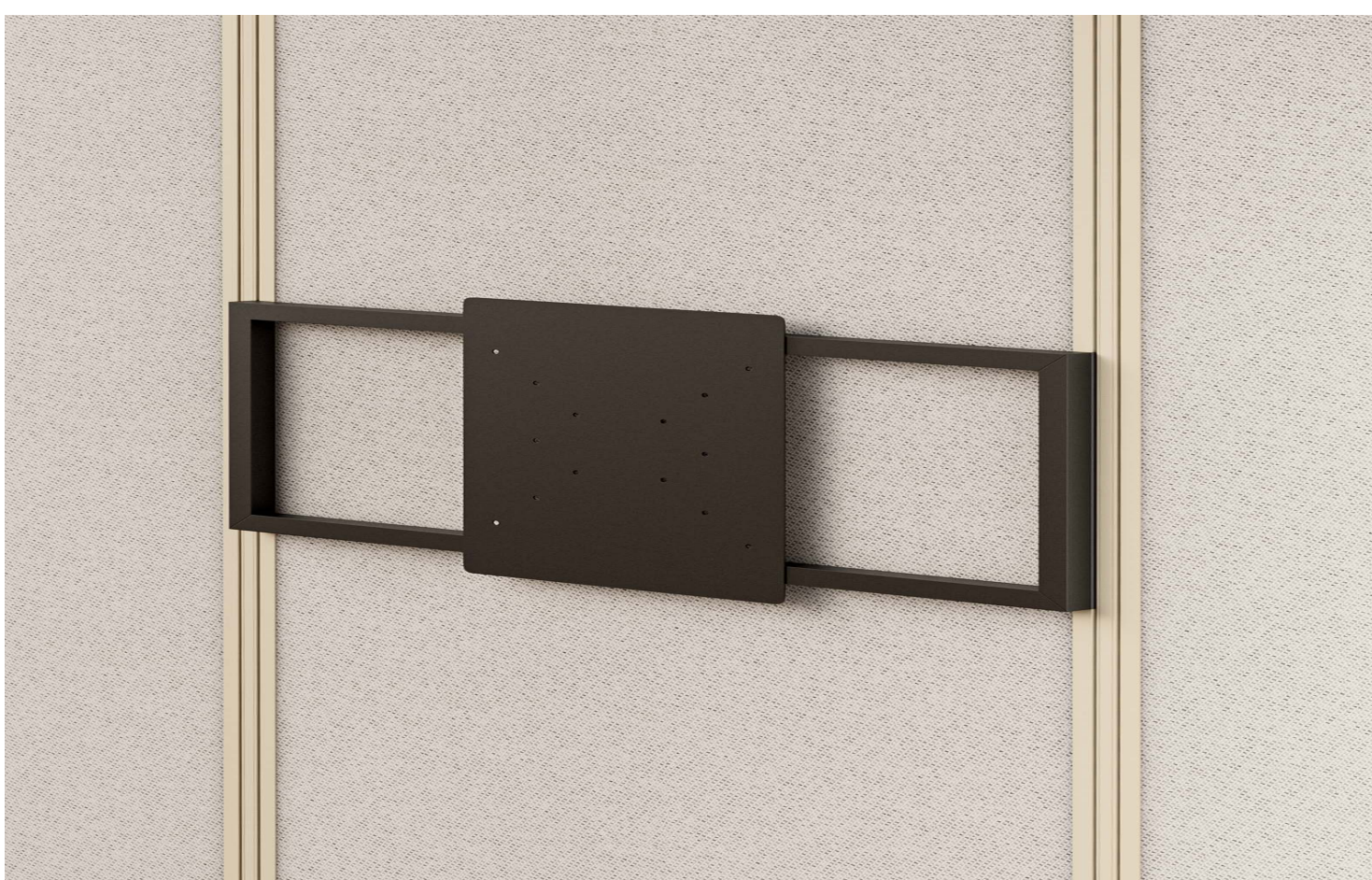
**Central TV hanger**

VEESA 100x100/200x200/200x100/300x300 standards

Available colors



Dimensions	[mm]	[inch]
Width	380	14.96
Depth	28	1.10
Height	486	19.13
Weight	[kg]	[lbs]
Weight	-	-
Max. load	50	110.23



**One profile TV hanger**

VEESA 100x100/200x200/200x100/300x300 standards

Available colors



Dimensions	[mm]	[inch]
Width	987.5	38.88
Depth	80.3	3.16
Height	486	19.13
Weight	[kg]	[lbs]
Weight	-	-
Max. load	50	110.23

